



Guangdong Yaolong Metal Technology CO.,LTD



**Office Address:**

No. 8,3rd Floor,Block 2,Area H,Liyuan Metal  
Logistics Market,Chencun Town,Shunde,  
Foshan City,Guangdong Province,PRC

**Factory address:**

Guangdong Factory: No.1-4,Block 3,Area A , Liyuan Metal  
Logistics Market,Tancun,Chencun Town,Shunde,Foshan City,  
Guangdong Province,PRC  
Jiangsu Factory: Pingdong Industry zone,Tongzhou District,  
Nantong City,Jiangsu Province,PRC

**Contact Us Now**

Phone Call:  
0086 18933011151

WhatsApp:  
0086 18933011151

WeChat:  
0086 18933011151

Email Address:  
quote@fsyaolong.com

[www.yaolonglightpole.com](http://www.yaolonglightpole.com)



WeChat



WhatsApp



BEST SUPPLIER FOR SENIOR LIGHT POLE

THE LEADER IN  
STAINLESS STEEL AND  
ALUMINUM LIGHTING POLES

LEADING SUPPLIER IN DESIGNED  
STREET LIGHT POLE 01/02



## Company Profile

Guangdong Yaolong Metal Technology Co.,Ltd. located in the most famous town of stainless steel – Chencun, Foshan, is a modern enterprise which integrated R & D, design, production and distribution, specializing in the production of stainless steel and aluminium light pole, tapered flag pole and other series of stainless steel products.

Our stainless steel and aluminum light pole can be mainly divided into: tapered light pole, courtyard light pole, garden light pole, traffic light pole, which are popular among Western countries. The stainless steel and aluminum light poles have been widely used in decorating the landmark architectures, squares, and housing estates. Our aluminum alloy light pole, produced by advanced CNC spinning equipment from abroad, is of good quality and appearance which do not have any weld joints. Aluminum light poles are mainly used on the bridge and at the seaside, requiring high standard of corrosive prevention and lighter material. The company pursues to be the leader in stainless steel and aluminum light pole. We concentrate on design and craft which help us to sustain the leading position in this field.

We have import and export license. Our products not only widely in domestic sales but also in export markets, such as Middle East, Europe, USA, and Southeast Asia.

Our company develops a team of professional designers and engineers, brought in advanced high-tech equipments from Italy, Japan and France. Besides, our products complied with ISO 9001:2000, the ISO14001 and GB/T28001-2001 Occupational Health and Safety Management System. Yaolong brand is casted by our advanced R&D technology and abundant production capacity.



# Enterprise culture

Respect, Cooperation, High efficiency, Win-win strategy

**Management perspective:** Good quality casts the brand, innovation leads the future.

**Concept of talents:** The capable first, the less capable second, the mediocre leave.

**Concept of quality:** Use first class talents, make first class goods, offer first class service.

**Development strategy:** Market dominated, talents tied, capital backed, brand led.

05/06 LEADING SUPPLIER IN DESIGNED STREET LIGHT POLE



Yaolong Nantong Factory Gate



Yaolong Foshan Factory No.2 Gate



Yaolong Foshan Factory No.1 Gate



Yaolong Nantong Factory Inside View



Yaolong Foshan Factory No.2 Inside View



Yaolong Foshan Factory No.1 Inside View



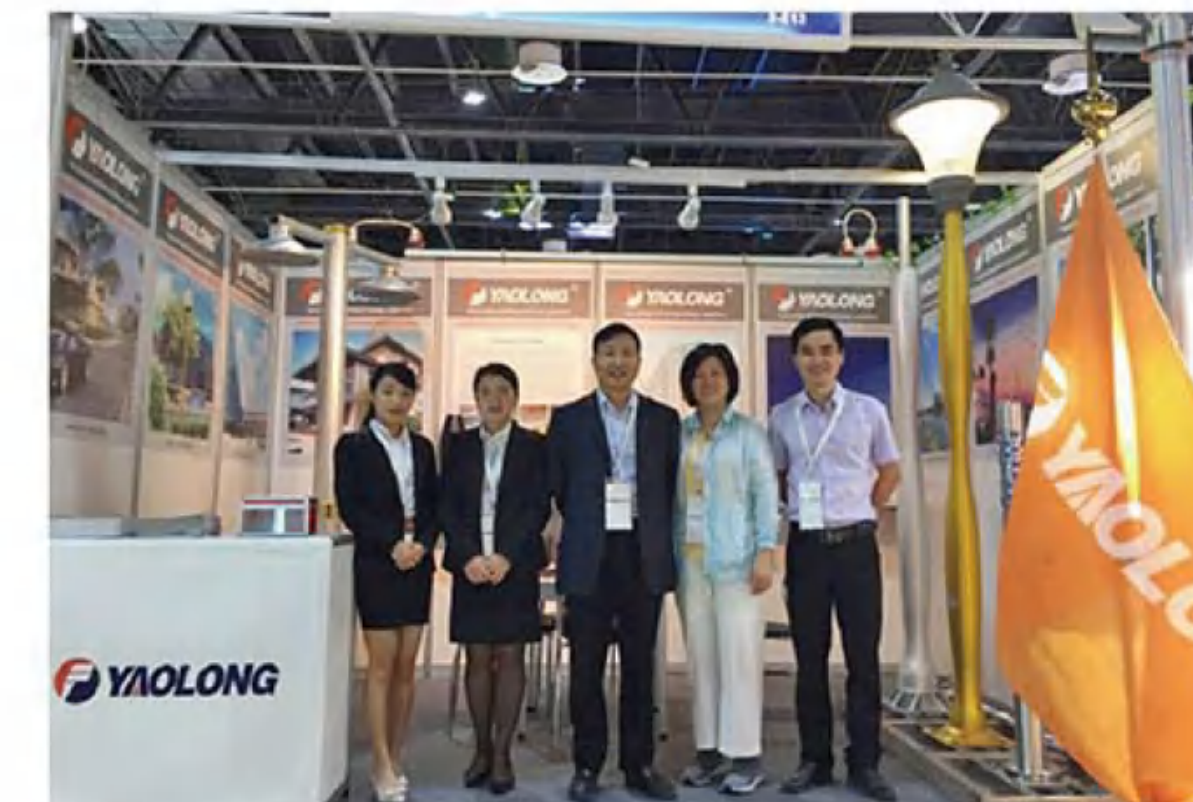
Yaolong Foshan Office



Yaolong Sales Teams



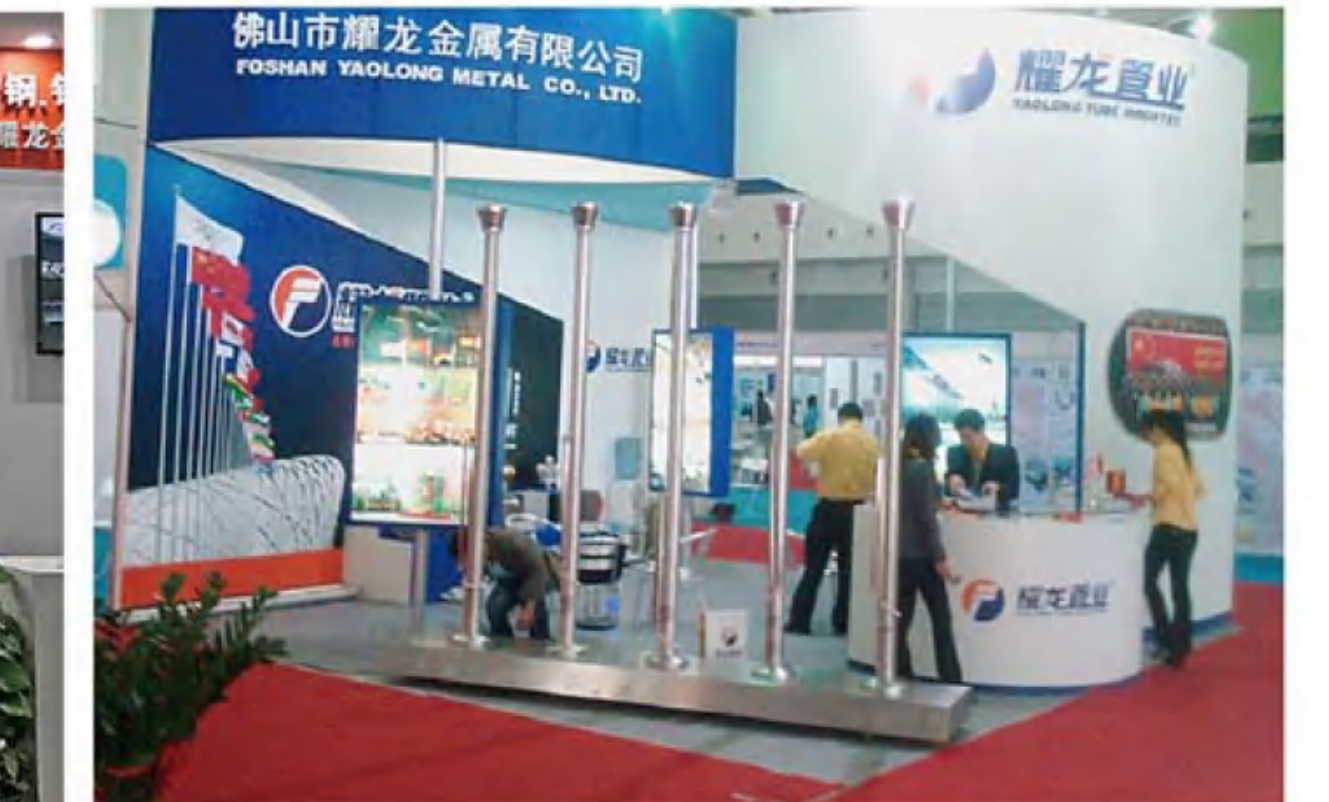
Yaolong Foshan Office Inside View



UAE Light Middle East Exhibition in 2017



Shanghai International Lighting Fair in 2017



Guangzhou International Stainless Steel Exhibition in 2018



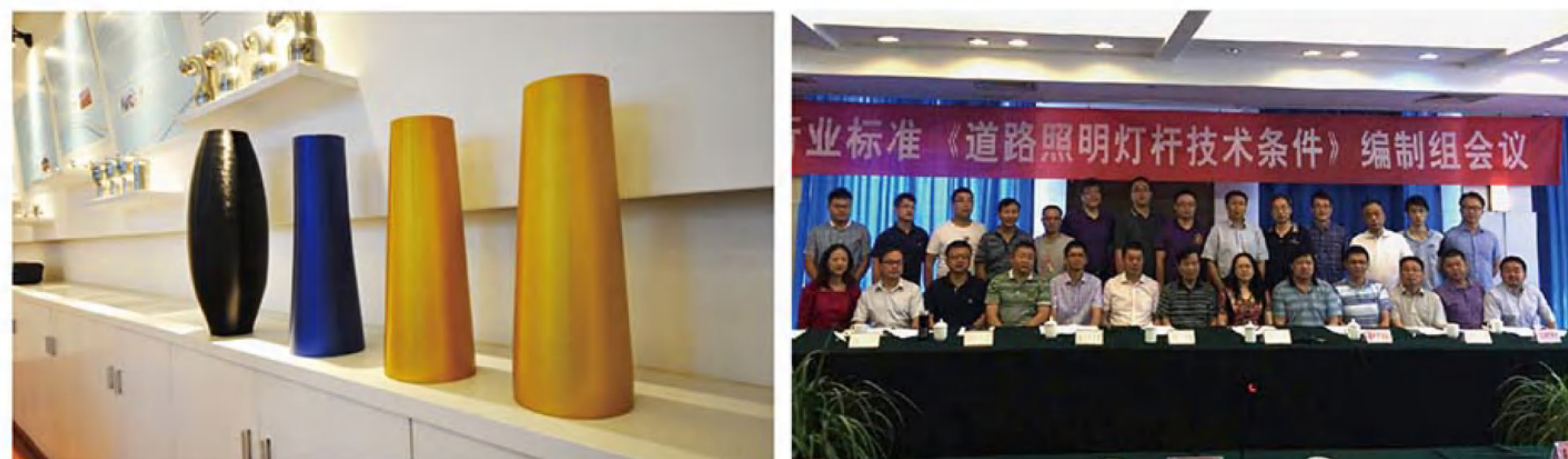


## Perfect Quality Decorate the World

Dynamotor was first shown up in the Beijing Forbidden City ( palace of the Qing emperors ) in 1888. Since then, street lamps appeared in the Chang'an Street which mostly were made up of wood. When PRC was established, most of the lamps in Beijing were in the same style: an enamel tray was hanging on the top as the lampshade in a wooden light pole. Cement pole came soon. In 1981, high-pole lamps were used in viaducts in order to reduce the amount for the light poles in the same height. With the development of the time, cement poles were replaced by electrostatic steel light poles, stainless steel light poles, aluminum light poles, etc. Thanks to these stylish light poles, our city looks more attractive.

Yaolong light poles have been used in our daily life since 2012. You can find them on the streets, communities, tourist attractions, parks, squares, courtyards, etc. Lighting system enhanced a lot with the appearance of Yaolong light poles, which increases the time for outdoor activities and improves safety of night walking. Our city hence becomes more charming and romantic.

# Technology Characteristics



## Characteristics of Aluminium Light Poles

We use the aluminum alloy seamless tube as the raw material .Yaolong Aluminium light pole ,produced by advanced CNC spinning equipment from German .The light poles are of high quality and good finishing that will never rust and have no welded joints.Processed by anodizing treatment ,the surface of poles are very smooth .Yaolong light poles are very popular in developed countries like Europe and American countries

High quality aluminum alloy guarantees the good anticorrosion surface for the products. The aluminum alloy light pole is light but with high strength. It weights only one-third of the steel light poles which is more convenient to transport. The surface of the pole is smooth and flawless which reflects the characteristics of the aluminum alloy. After processed by anodizing surface treatment, the sealing film takes shape on the surface of the aluminum pole, which protects the pole from being rusty and remain the same color. On the other hand, we could change the color of the pole by electrolytic coloring and chemical coloring.



15Meter Long Aluminium Pole Anodizing Pond



Aluminum spinning equipment



Robot Laser Cutting Machine



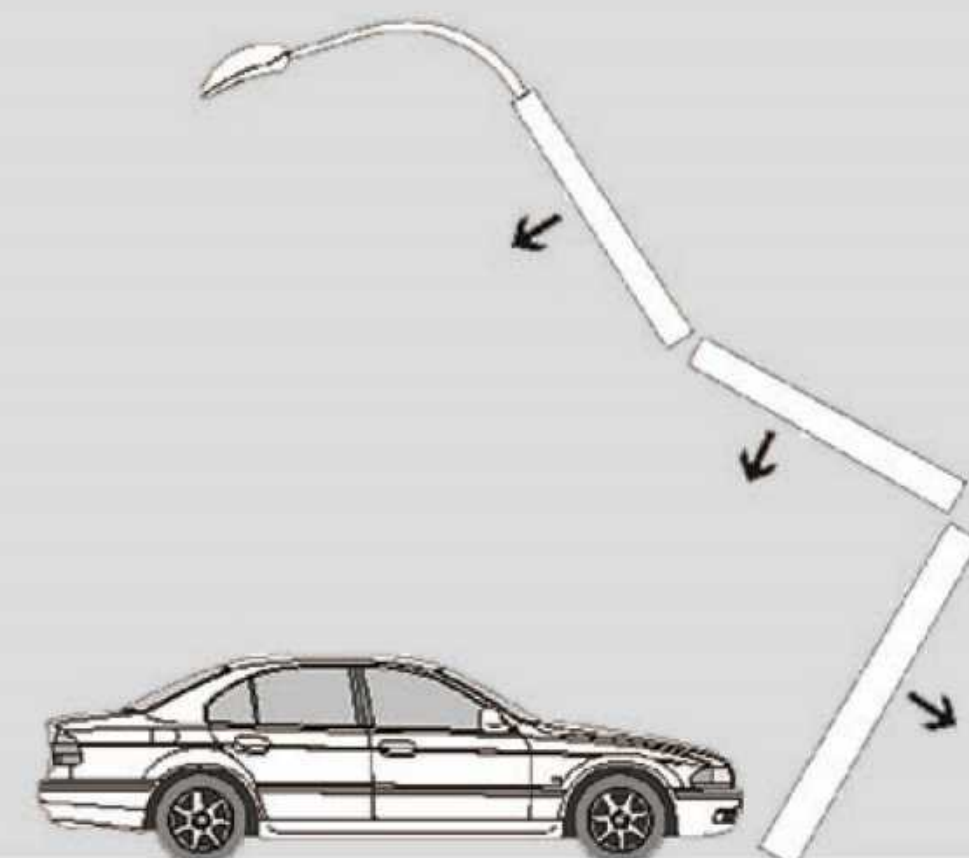
T6 Heat Treatment Oven

# The Security of Aluminum Light Pole

We use the high quality aluminum alloy seamless tube as the raw material. Yaolong aluminum light pole, produced by advanced CNC spinning equipment from abroad, is of good quality and appearance which will not get rusty and do not have any weld joints. Our light poles will not break into pieces but only get bended even though it has been slammed seriously, which minimize the damage to the vehicle and ensure the safety of the traffic.

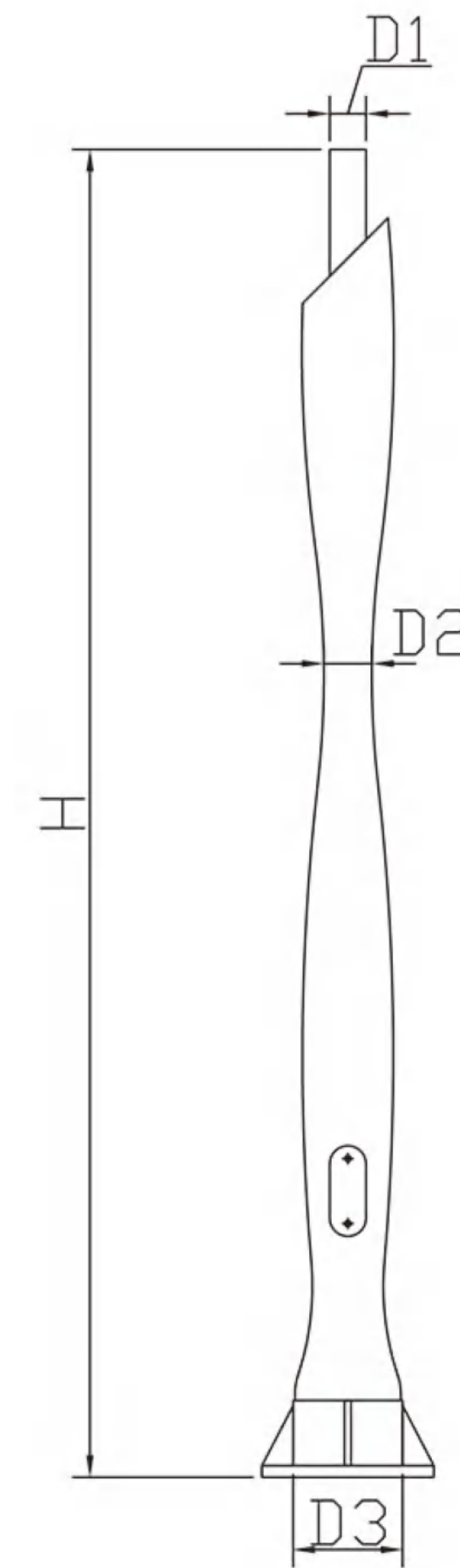


Aluminum light pole



Traditional light pole





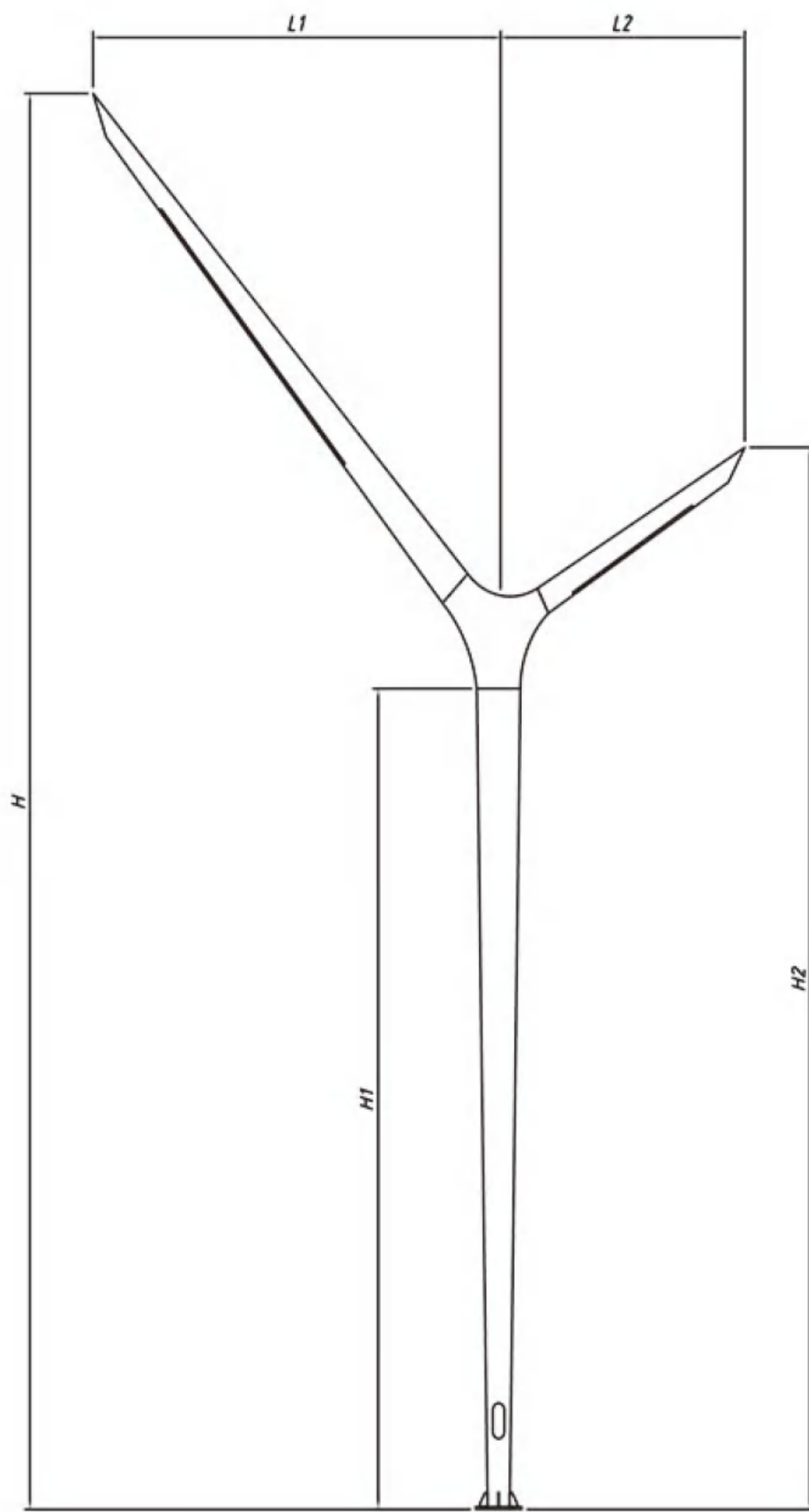
## ◆ YLDG-N

### ALUMINUM GOUD SHAPE LIGHT POLE

MODEL : YLDG-N

Other sizes can be custom

MODEL M	HEIGHT H	TOP OD D1	OD D2	BASE OD D3	THICK T	DOOR HEIGHT H1	DOOR SIZE (A×B)	BASE SIZE (L×W×T)
YLDG-N1	3000	60	80	180	4.0	500	80 × 250	260 × 260 × 12
YLDG-N2	4000	60	80	180	4.0	500	80 × 250	260 × 260 × 12
YLDG-N3	5000	60	80	200	4.0	500	80 × 250	305 × 305 × 19
YLDG-N4	6000	60	80	200	4.0	500	80 × 250	305 × 305 × 19



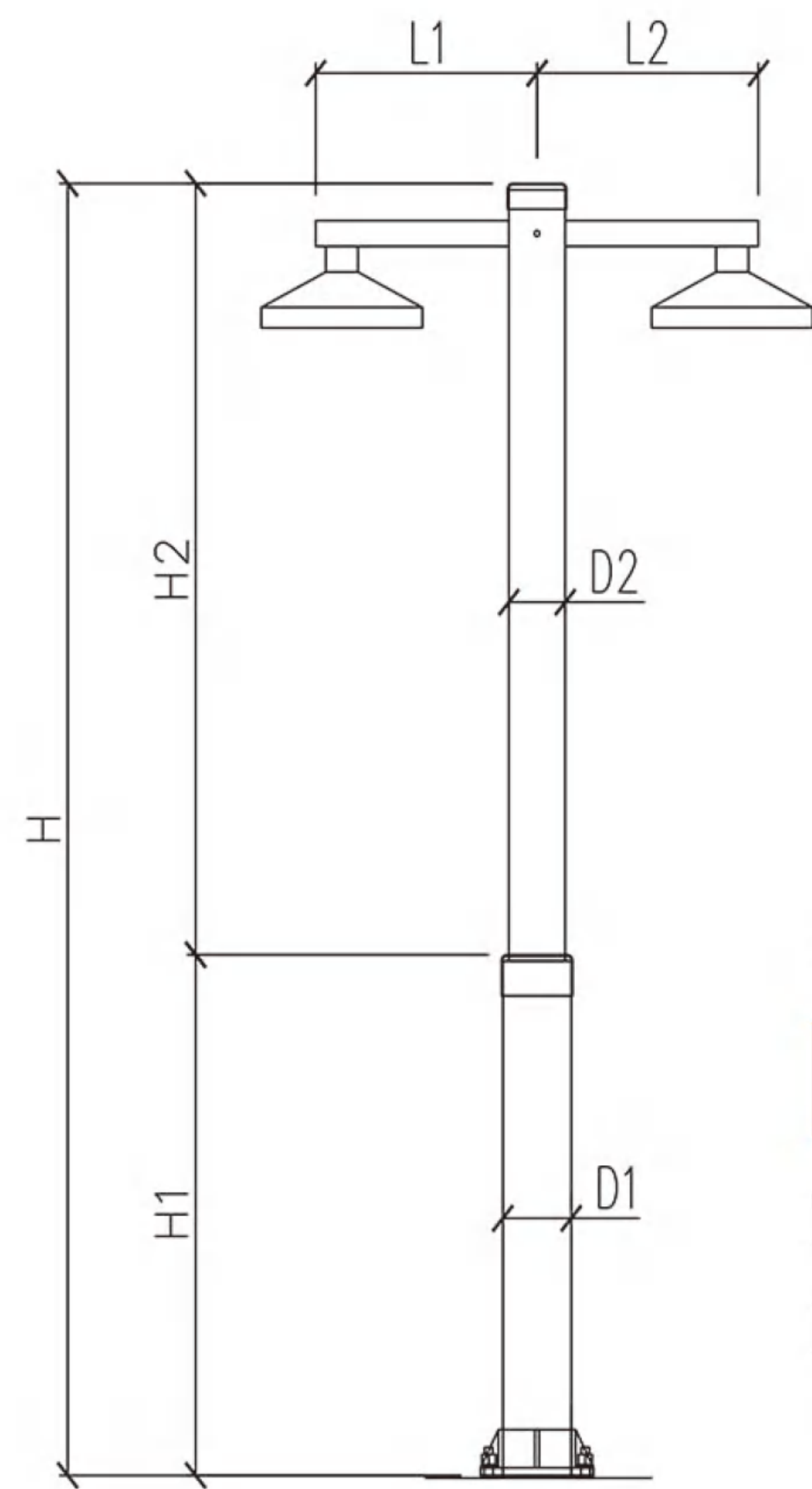
## ◆ YLDG-Y

### ALUMINUM AND STAINLESS STEEL Y SHAPE LIGHT POLE

**MODEL : YLDG-Y**

Other sizes can be custom

MODEL M	LEFT ARM HEIGHT H	HEIGHT H1	RIGHT ARM HEIGHT H1	LEFT ARM WIDTH L1	RIGHT ARM WIDTH L2
YLDG-Y1	8000	4000	5500	3500	2200
YLDG-Y2	10000	6000	7500	3500	2200
YLDG-Y3	12000	8000	9500	3500	2200
YLDG-Y4	14000	10000	11500	3500	2200



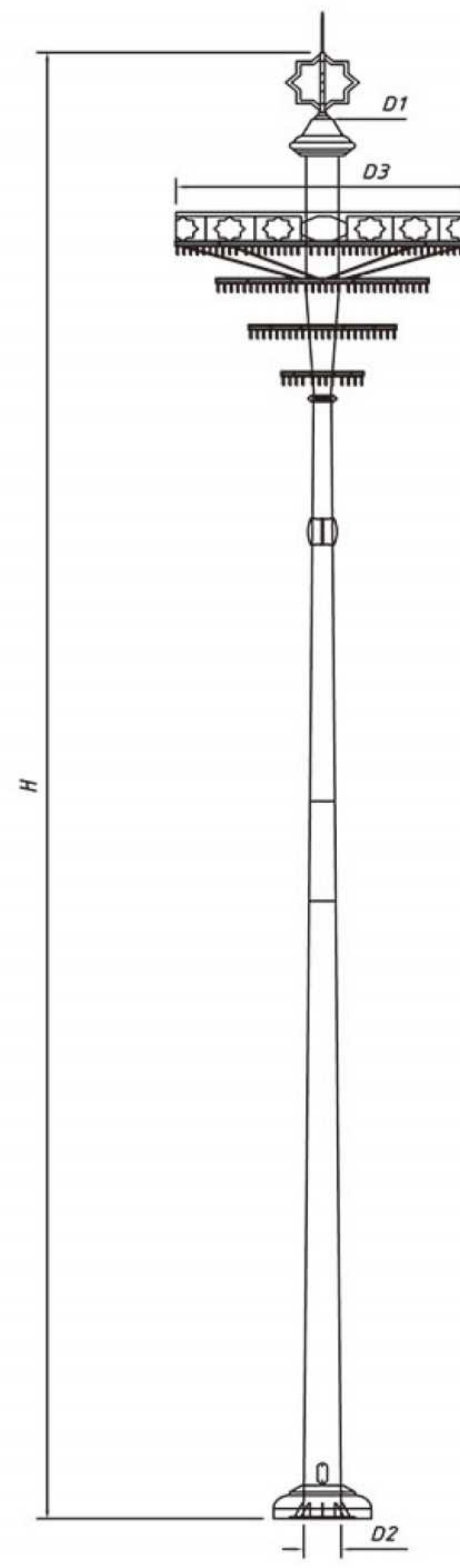
## ◆ YLDG-A

### ALUMINUM DOUBLE ARM LIGHT POLE

#### MODEL : YLDG-A

Other sizes can be custom

MODEL M	HEIGHT H	TOP OD D1	BASE OD D3	THICK T	ARM L1	ARM L2	DOOR HEIGHT H1	DOOR SIZE (A×B)	BASE SIZE (Φ×T)
YLDG-A1	2500	170	140	5.0	550	550	500	80 × 250	Φ280 × 150
YLDG-A2	3000	170	140	5.0	600	600	500	80 × 250	Φ280 × 150
YLDG-A3	4000	170	140	5.0	650	650	500	80 × 250	Φ280 × 150
YLDG-A4	5000	170	140	5.0	750	750	500	80 × 250	Φ280 × 150
YLDG-A5	6000	170	140	5.0	800	800	500	80 × 250	Φ280 × 150



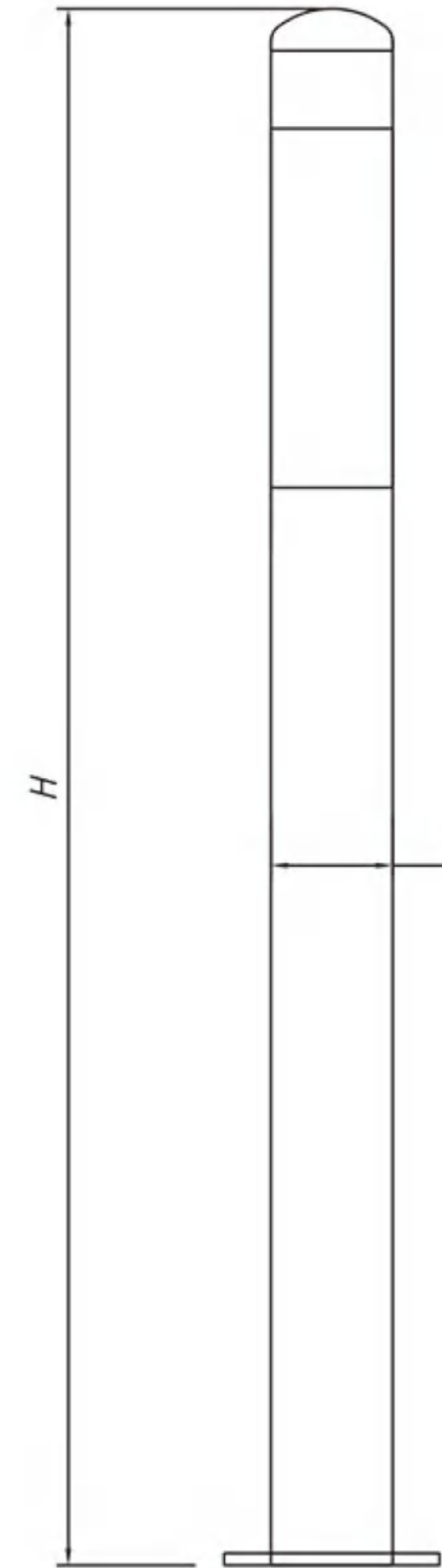
## ◆ YLDG-M

### ALUMINUM AND STAINLESS STEEL HIGH MAST

#### MODEL : YLDG-M

Other sizes can be custom

MODEL M	HEIGHT H	TOP OD D1	BASE OD D2	LAMP SIZE D3	DOOR HEIGHT H1	DOOR SIZE (A×B)	BASE SIZE (Φ×T)
YLDG-M1	18000	220	436	3600	500	120 × 300	Φ800 × 30
YLDG-M2	20000	220	460	3600	500	120 × 300	Φ800 × 30
YLDG-M3	22000	220	484	3600	500	120 × 300	Φ800 × 30
YLDG-M4	25000	220	520	4000	500	120 × 300	Φ800 × 30
YLDG-M5	30000	220	580	4000	500	120 × 300	Φ800 × 30



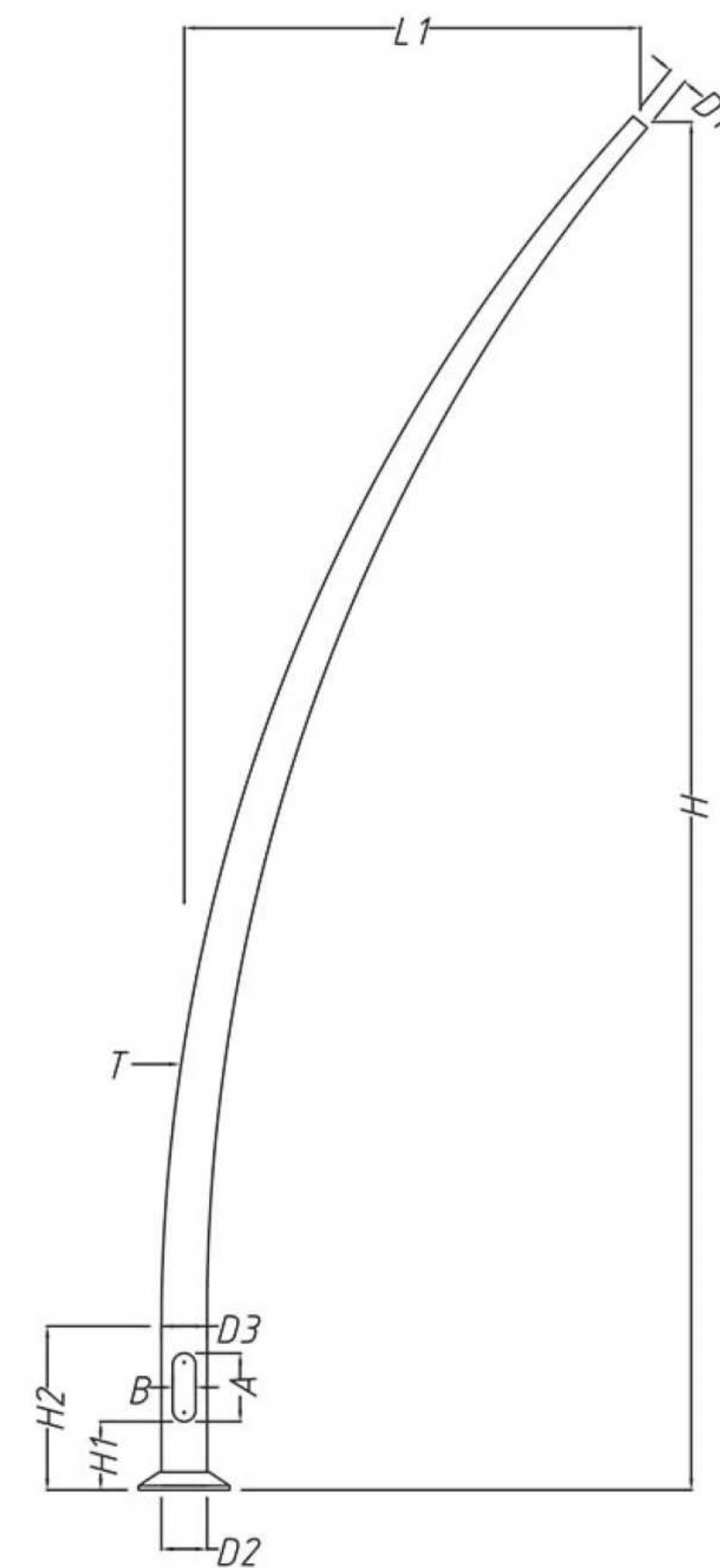
## ◆ YLDG-C

### ALUMINUM AND STAINLESS STEEL GRASS LIGHT POLE

#### MODEL : YLDG-C

Other sizes can be custom

MODEL M	HEIGHT H	OD D1	THICK T	BASE SIZE (Φ×T)
YLDG-C1	600	102	2.5-3.0	Φ80×10
YLDG-C2	800	102	2.5-3.0	Φ80×10
YLDG-C3	1000	102	2.5-3.0	Φ80×10
YLDG-C4	1200	102	2.5-3.0	Φ80×10



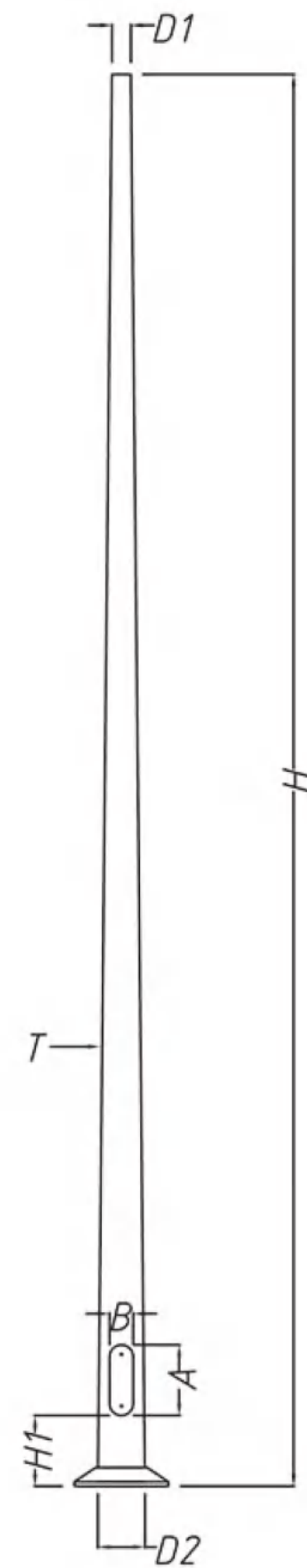
## ◆ YLDG-E

### ALUMINUM CURVED LIGHT POLE

#### MODEL : YLDG-E

Other sizes can be custom

MODEL M	HEIGHT H	TOP OD D1	BASE OD D2	THICK T	ARM L1	HEIGHT2 H2	DOOR HEIGHT H1	DOOR SIZE (A×B)	BASE SIZE (L×W×T)
YLDG-E1	5000	76	152	4.0	1500	1000	500	80 × 250	298 × 298 × 12
YLDG-E2	6000	76	152	4.0	1500	1000	500	80 × 250	298 × 298 × 12
YLDG-E3	7000	76	166	4.0	1800	1200	500	80 × 250	298 × 298 × 12
YLDG-E4	8000	76	180	4.0	1800	1200	500	100 × 300	305 × 305 × 19
YLDG-E5	9000	76	180	4.0	2000	1500	500	100 × 300	305 × 305 × 19
YLDG-E6	10000	76	200	4.0	2000	1500	500	100 × 300	305 × 305 × 19



# ◆ YLDG-Z

## ALUMINUM TAPERED LIGHT POLE

### MODEL : YLDG-Z

Other sizes can be custom

MODEL M	HEIGHT H	TOP OD D1	BASE OD D2	THICK T	DOOR HEIGHT H1	DOOR SIZE (A×B)	BASE SIZE (L×W×T)
YLDG-Z1	3000	76	152	4.0	500	80 × 250	298 × 298 × 12
YLDG-Z2	4000	76	152	4.0	500	80 × 250	298 × 298 × 12
YLDG-Z3	5000	76	152	4.0	500	80 × 250	298 × 298 × 12
YLDG-Z4	6000	76	152	4.0	500	80 × 250	298 × 298 × 12
YLDG-Z5	7000	76	166	4.0	500	80 × 250	298 × 298 × 12
YLDG-Z6	8000	76	166	4.0	500	80 × 250	298 × 298 × 12
YLDG-Z7	9000	76	180	4.0	500	100 × 300	305 × 305 × 19
YLDG-Z8	10000	76	200	4.0	500	100 × 300	305 × 305 × 19

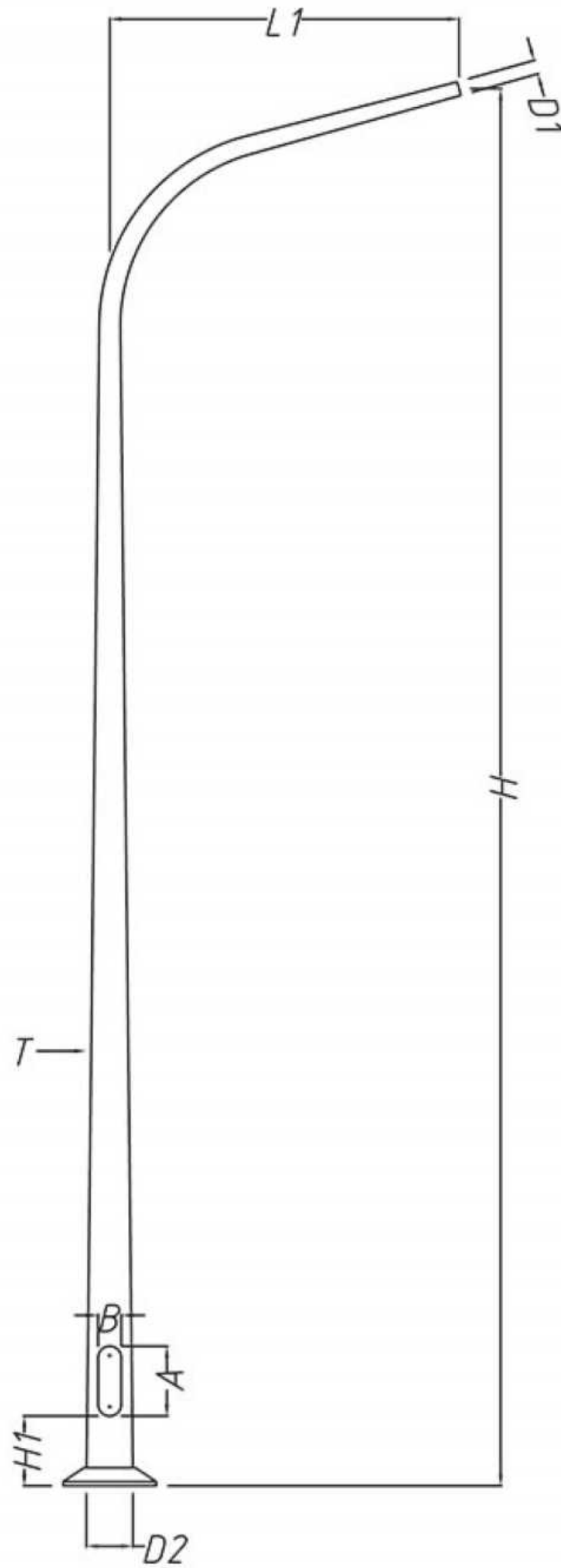
# ◆ YLDG-D

## ALUMINUM SINGLE-ARM LIGHT POLE

### MODEL : YLDG-D

Other sizes can be custom

MODEL M	HEIGHT H	TOP OD D1	BASE OD D2	THICK T	ARM L1	DOOR HEIGHT H1	DOOR SIZE (A×B)	BASE SIZE (L×W×T)
YLDG-D1	5000	76	152	4.0	1500	500	80 × 250	298 × 298 × 12
YLDG-D2	6000	76	152	4.0	1500	500	80 × 250	298 × 298 × 12
YLDG-D3	7000	76	166	4.0	1500	500	80 × 250	298 × 298 × 12
YLDG-D4	8000	76	180	4.0	1500	500	100 × 300	305 × 305 × 19
YLDG-D5	9000	76	180	4.0	1500	500	100 × 300	305 × 305 × 19
YLDG-D6	10000	76	200	4.0	1500	500	100 × 300	305 × 305 × 19

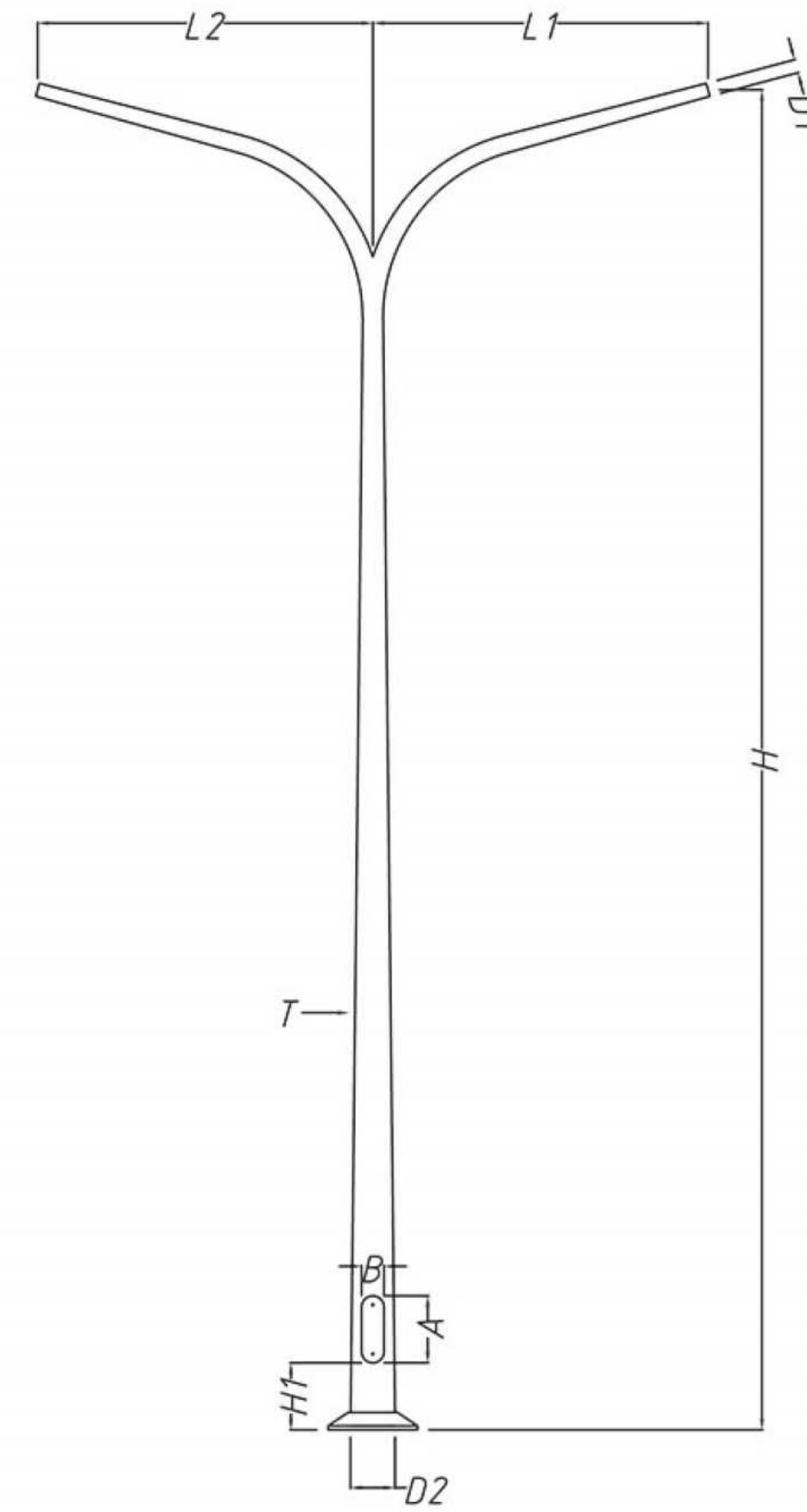


## ALUMINUM SINGLE-ARM LIGHT POLE





ALUMINUM DOUBLE-ARM LIGHT POLE



## ◆ YLDG-S

### ALUMINUM DOUBLE-ARM LIGHT POLE

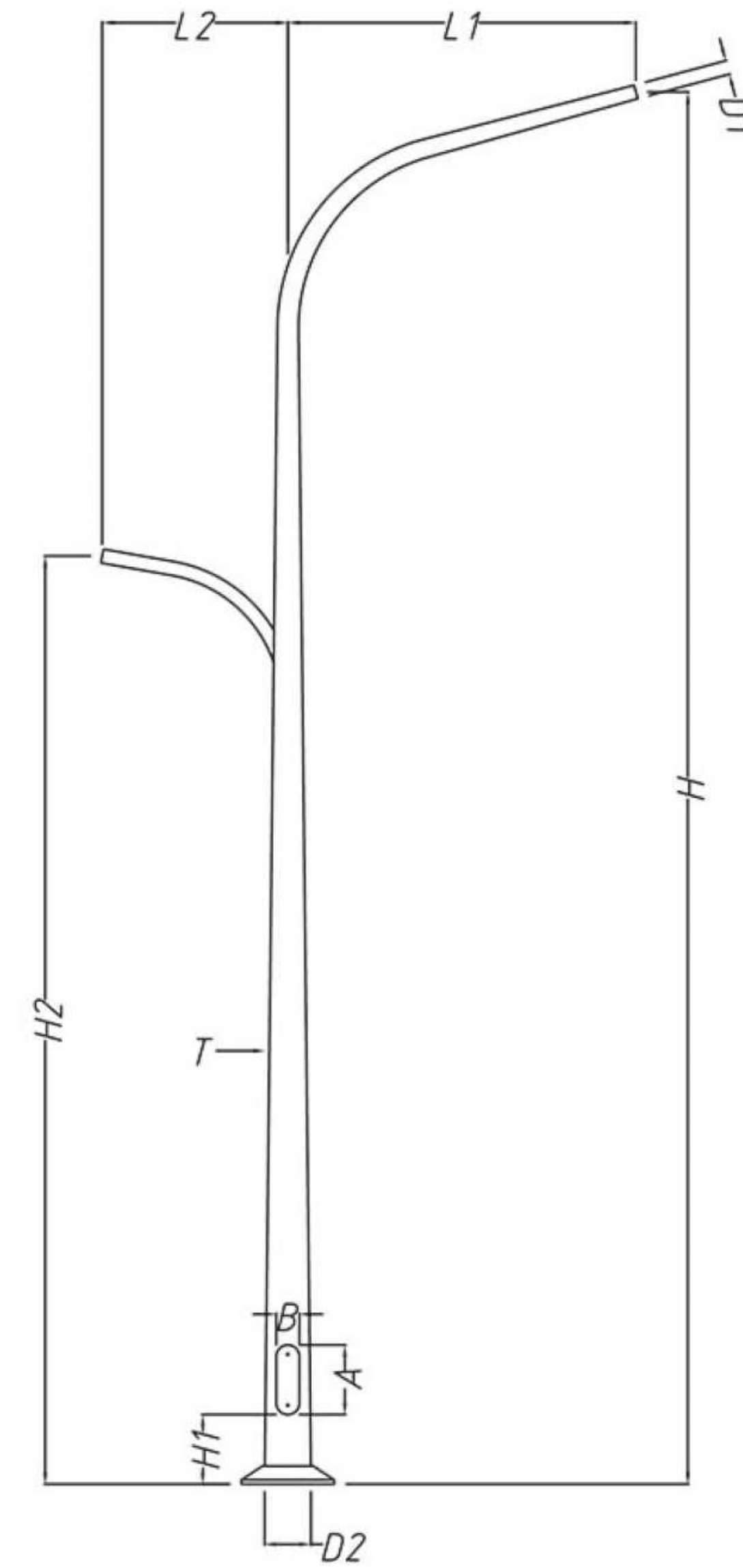
#### MODEL : YLDG-S

Other sizes can be custom

MODEL M	HEIGHT H	TOP OD D1	BASE OD D2	THICK T	ARM L1	ARM L2	DOOR HEIGHT H1	DOOR SIZE (A×B)	BASE SIZE (L×W×T)
YLDG-S1	5000	76	152	4.0	1500	1500	500	80×250	298×298×12
YLDG-S2	6000	76	152	4.0	1500	1500	500	80×250	298×298×12
YLDG-S3	7000	76	166	4.0	1500	1500	500	80×250	298×298×12
YLDG-S4	8000	76	180	4.0	1500	1500	500	100×300	305×305×19
YLDG-S5	9000	76	180	4.0	1500	1500	500	100×300	305×305×19
YLDG-S6	10000	76	200	4.0	1500	1500	500	100×300	305×305×19



ALUMINUM HIGH AND LOW ARM LIGHT POLE



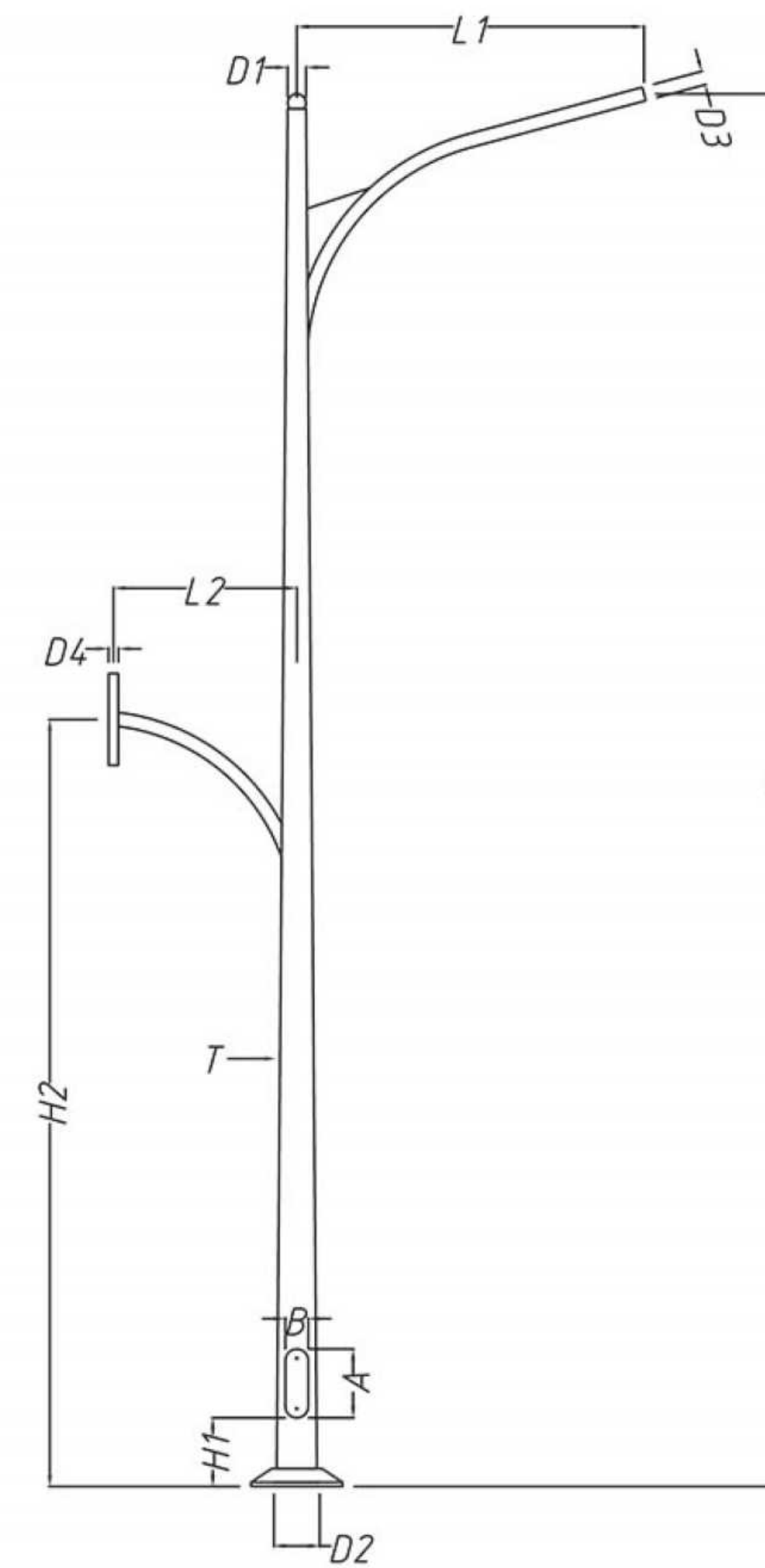
## ◆ YLDG-G

### ALUMINUM HIGH AND LOW ARM LIGHT POLE

#### MODEL : YLDG-G

Other sizes can be custom

MODEL M	HEIGHT H	TOP OD D1	BASE OD D2	THICK T	ARM L1	ARM L2	DOOR HEIGHT H1	DOOR SIZE (A×B)	BASE SIZE (L×W×T)
YLDG-G1	5000	76	152	4.0	1500	800	500	80 × 250	298 × 298 × 12
YLDG-G2	6000	76	152	4.0	1500	800	500	80 × 250	298 × 298 × 12
YLDG-G3	7000	76	166	4.0	1500	800	500	80 × 250	298 × 298 × 12
YLDG-G4	8000	76	180	4.0	1500	800	500	100 × 300	305 × 305 × 19
YLDG-G5	9000	76	180	4.0	1500	800	500	100 × 300	305 × 305 × 19
YLDG-G6	10000	76	200	4.0	1500	800	500	100 × 300	305 × 305 × 19



## ◆ YLDG-K

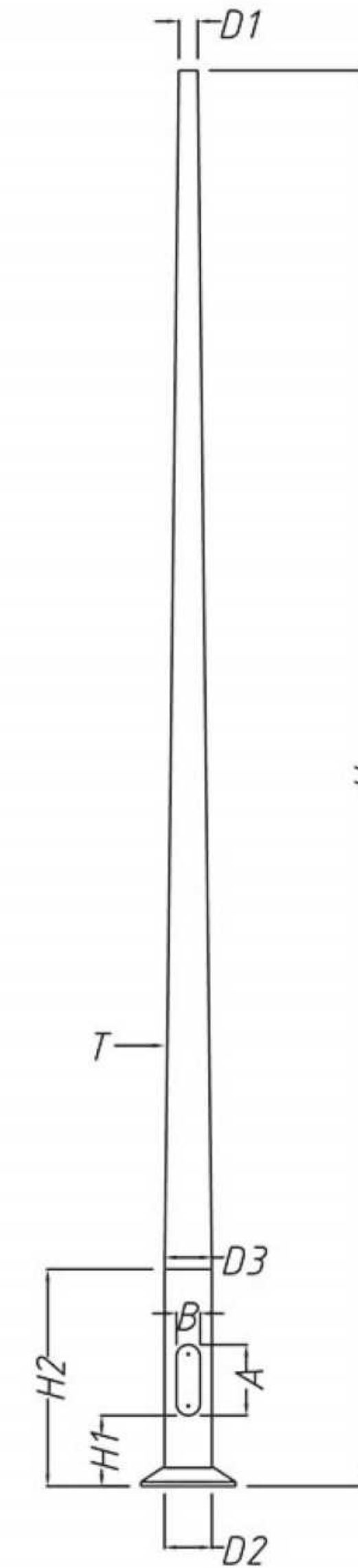
### ALUMINUM HIGH AND LOW ARM LIGHT POLE

#### MODEL : YLDG-K

Other sizes can be custom

MODEL	HEIGHT	TOP OD	BASE OD	OD	HEIGHT2	ARM	ARM	THICK	DOOR HEIGHT	DOOR SIZE	BASE SIZE
M	H	D1	D2	D3	H2	L1	L2	T	H1	(A×B)	(L×W×T)
YLDG-K1	5000	76	152	60	3000	1500	800	4.0	500	80 × 250	298 × 298 × 12
YLDG-K2	6000	76	152	60	4000	1500	800	4.0	500	80 × 250	298 × 298 × 12
YLDG-K3	7000	76	166	60	5000	1500	800	4.0	500	80 × 250	298 × 298 × 12
YLDG-K4	8000	76	180	60	6000	1500	800	4.0	500	100 × 300	305 × 305 × 19
YLDG-K5	9000	76	180	60	7000	1500	800	4.0	500	100 × 300	305 × 305 × 19
YLDG-K6	10000	76	200	60	8000	1500	800	4.0	500	100 × 300	305 × 305 × 19

ALUMINUM STRAIGHT  
AND TAPERED LIGHT POLE



◆ **YLDG-X**

**ALUMINUM STRAIGHT AND  
TAPERED LIGHT POLE**

**MODEL : YLDG-X**

Custom-made according to customer requirements

MODEL M	HEIGHT H	TOP OD D1	BASE OD D2	THICK T	OD D2	HEIGHT2 H2	DOOR HEIGHT H1	DOOR SIZE (A×B)	BASE SIZE (L×W×T)
YLDG-X1	3000	76	152	4.0	152	1000	500	80 × 250	298 × 298 × 12
YLDG-X2	4000	76	152	4.0	152	1000	500	80 × 250	298 × 298 × 12
YLDG-X3	5000	76	180	4.0	180	1200	500	80 × 250	305 × 305 × 19
YLDG-X4	6000	76	200	4.0	200	1200	500	80 × 250	305 × 305 × 19

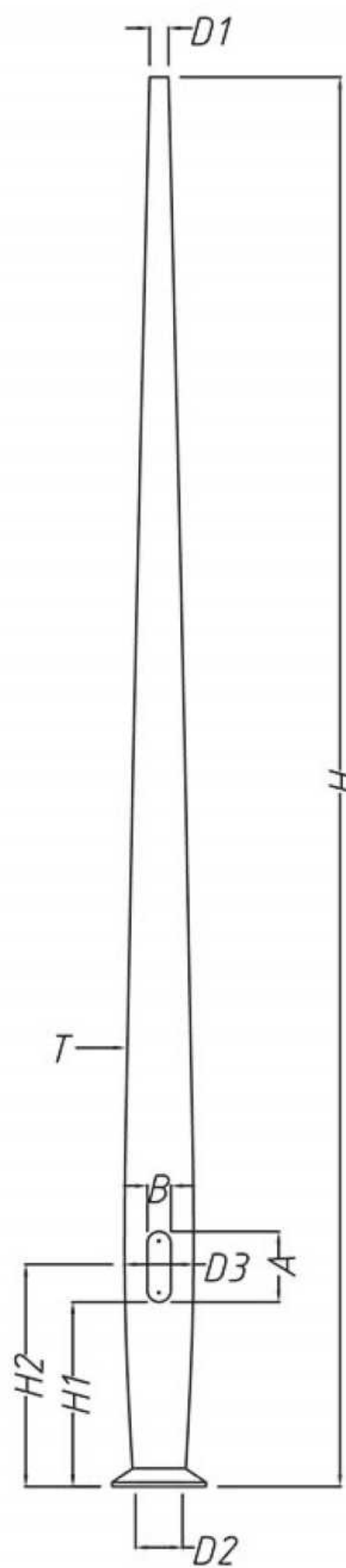
# ◆ YLDG-L

## ALUMINUM DRUM SHAPE LIGHT POLE

### MODEL : YLDG-L

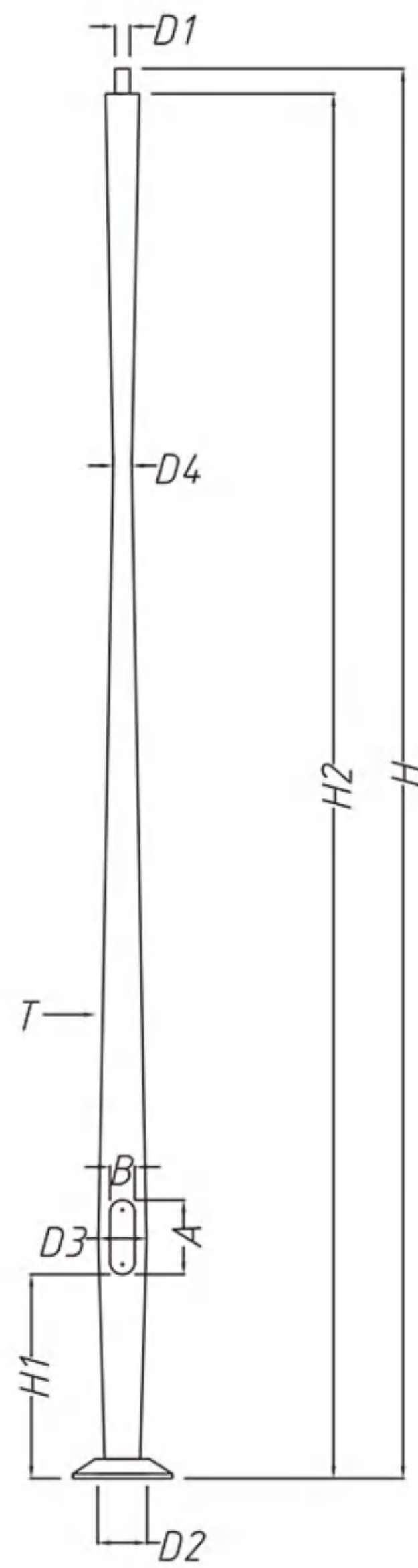
Custom-made according to customer requirements

MODEL M	HEIGHT H	TOP OD D1	BASE OD D2	THICK T	OD D3	DOOR HEIGHT H1	DOOR SIZE (A×B)	BASE SIZE (L×W×T)
YLDG-L1	3000	76	152	4.0	180	500	80 × 250	298 × 298 × 12
YLDG-L2	4000	76	152	4.0	180	500	80 × 250	298 × 298 × 12
YLDG-L3	5000	76	180	4.0	200	500	80 × 250	305 × 305 × 19
YLDG-L4	6000	76	180	4.0	200	500	80 × 250	305 × 305 × 19



## ALUMINUM DRUM SHAPE LIGHT POLE





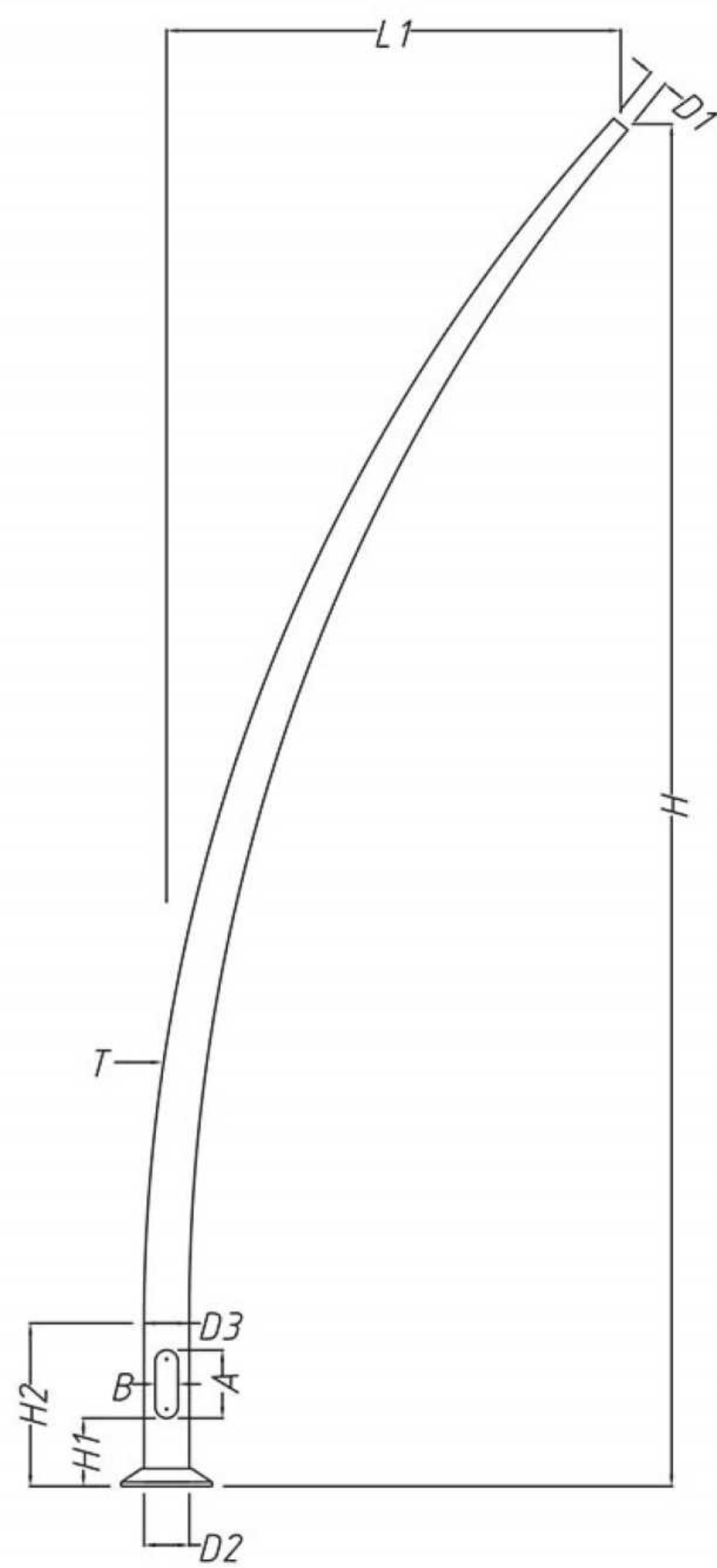
## ◆ YLDG-R

### ALUMINUM GOURD SHAPE LIGHT POLE

#### MODEL : YLDG-R

Custom-made according to customer requirements

MODEL M	HEIGHT H	TOP OD D1	BASE OD D2	OD D3	OD D4	THICK T	DOOR HEIGHT H1	DOOR SIZE (A×B)	BASE SIZE (L×W×T)
YLDG-R1	3000	60	152	180	80	4.0	500	80 × 250	298 × 298 × 12
YLDG-R2	4000	60	152	180	80	4.0	500	80 × 250	298 × 298 × 12
YLDG-R3	5000	60	180	200	80	4.0	500	80 × 250	305 × 305 × 19
YLDG-R4	6000	60	180	200	80	4.0	500	80 × 250	305 × 305 × 19



## ◆ YLDG-H

### ALUMINUM ARC-SHAPED LIGHT POLE

#### MODEL : YLDG-H

Custom-made according to customer requirements

MODEL M	HEIGHT H	TOP OD D1	BASE OD D2	THICK T	ARM L1	HEIGHT2 H2	DOOR HEIGHT H1	DOOR SIZE (A×B)	BASE SIZE (L×W×T)
YLDG-H1	5000	76	152	4.0	1500	1000	500	80 × 250	298 × 298 × 12
YLDG-H2	6000	76	152	4.0	1500	1000	500	80 × 250	298 × 298 × 12
YLDG-H3	7000	76	166	4.0	1800	1200	500	80 × 250	298 × 298 × 12
YLDG-H4	8000	76	180	4.0	1800	1200	500	100 × 300	305 × 305 × 19
YLDG-H5	9000	76	180	4.0	2000	1500	500	100 × 300	305 × 305 × 19
YLDG-H6	10000	76	200	4.0	2000	1500	500	100 × 300	305 × 305 × 19

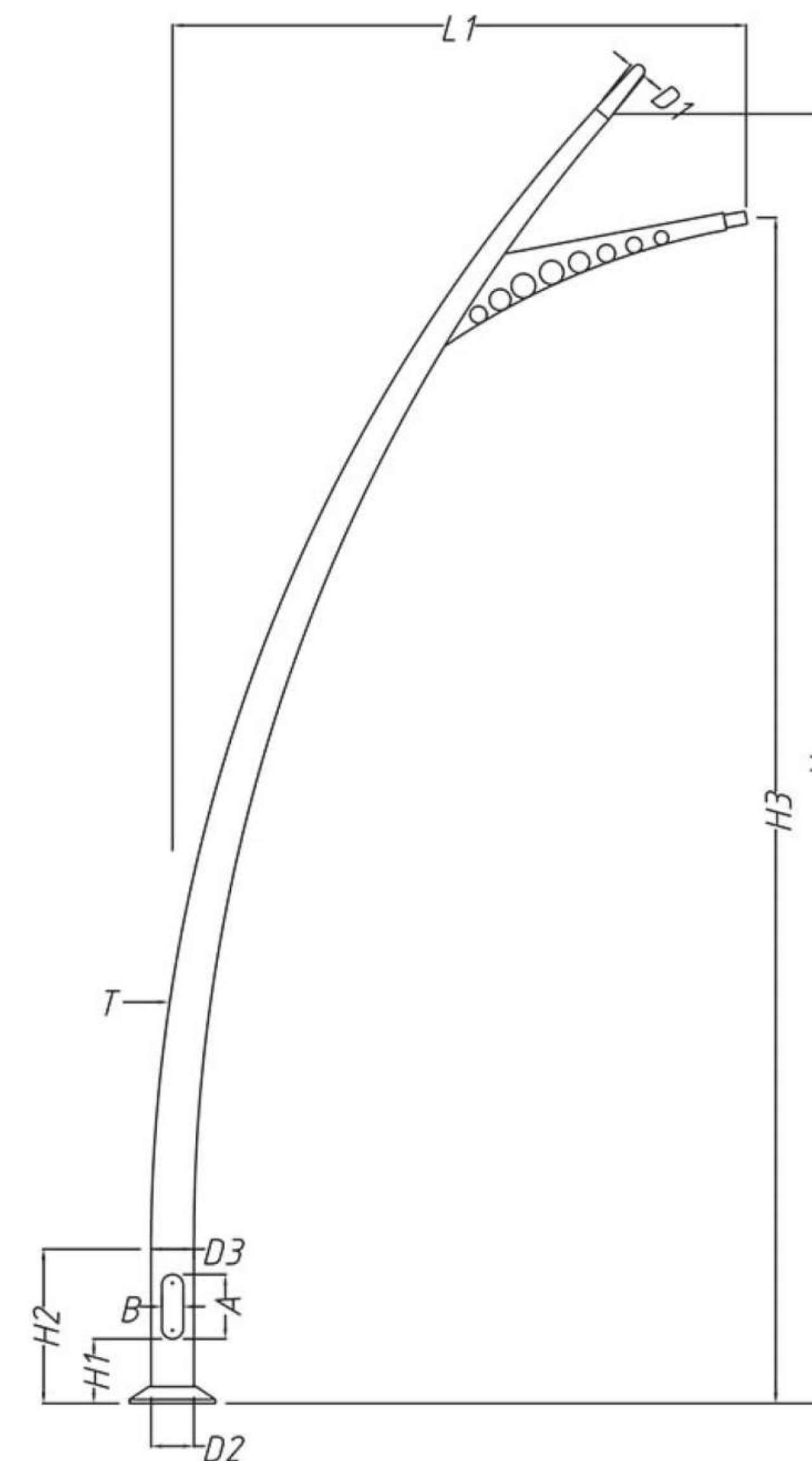


# ALUMINUM ARC-SHAPED LIGHT POLE



## ◆ YLDG-V

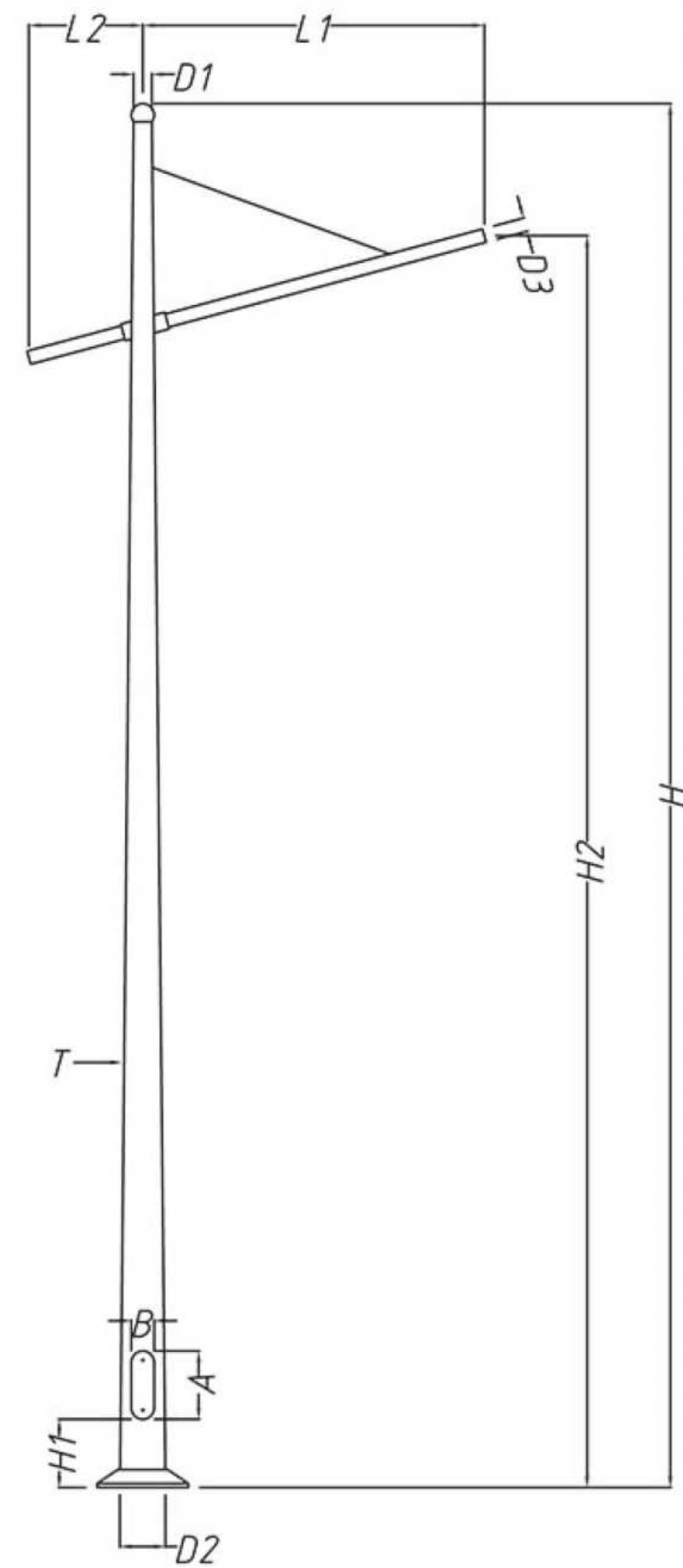
# ALUMINUM ARC-SHAPED LIGHT POLE



### MODEL : YLDG-V

Custom-made according to customer requirements

MODEL	HEIGHT	TOP OD	BASE OD	HEIGHT2	HEIGHT3	ARM	THICK	DOOR HEIGHT	DOOR SIZE (A×B)	BASE SIZE (L×W×T)
M	H	D1	D2	H2	H3	L1	T	H1		
YLDG-V1	5000	76	152	1000	4500	1500	4.0	500	80 × 250	298 × 298 × 12
YLDG-V2	6000	76	152	1000	5500	1500	4.0	500	80 × 250	298 × 298 × 12
YLDG-V3	7000	76	166	1200	6500	1800	4.0	500	80 × 250	298 × 298 × 12
YLDG-V4	8000	76	180	1200	7500	1800	4.0	500	100 × 300	305 × 305 × 19
YLDG-V5	9000	76	180	1500	8500	2000	4.0	500	100 × 300	305 × 305 × 19
YLDG-V6	10000	76	200	1500	9500	2000	4.0	500	100 × 300	305 × 305 × 19



## ◆ YLDG-O

### ALUMINUM SINGLE-ARM LIGHT POLE

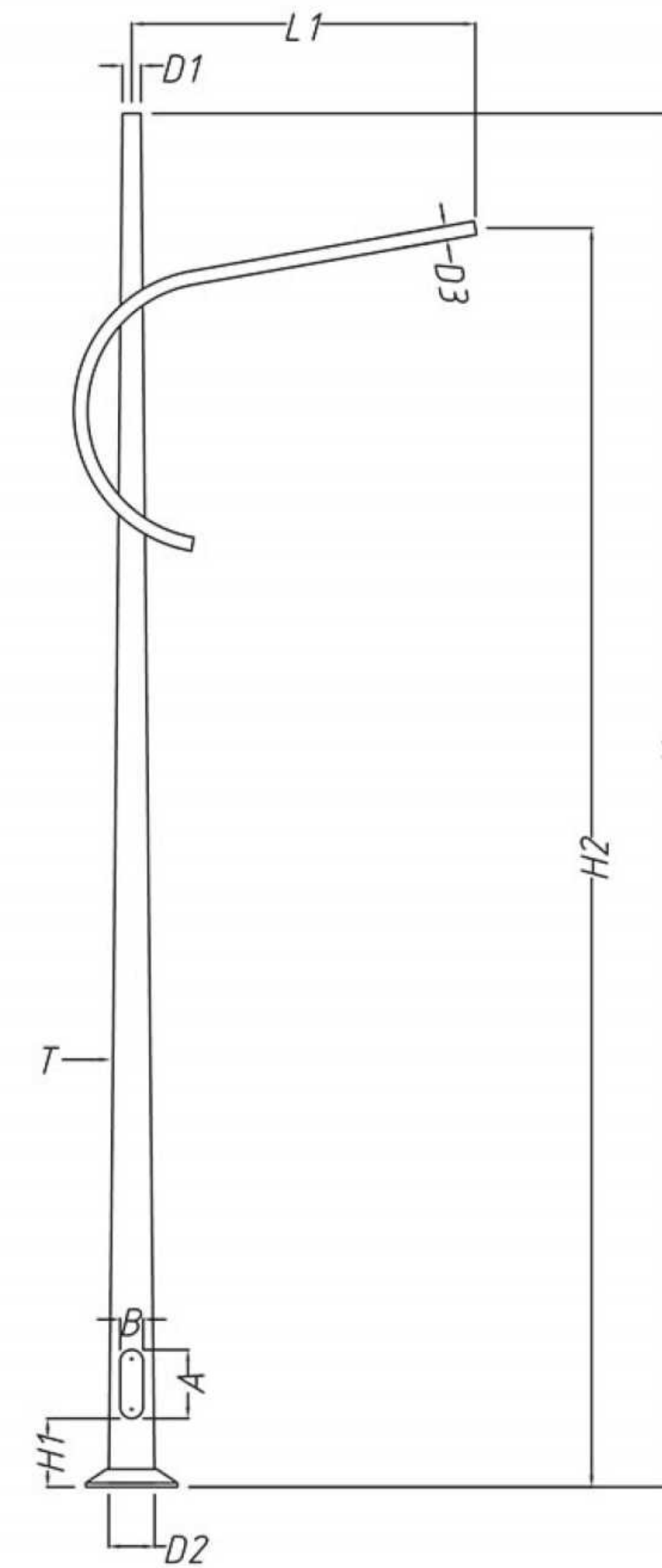
#### MODEL : YLDG-O

Custom-made according to customer requirements

MODEL	HEIGHT	TOP OD	BASE OD	OD	ARM	ARM	HEIGHT2	THICK	DOOR HEIGHT	DOOR SIZE	BASE SIZE
M	H	D1	D2	D3	L1	L2	H2	T	H1	(A×B)	(L×W×T)
YLDG-O1	5000	80	152	60	1500	500	4500	4.0	500	80×250	298×298×12
YLDG-O2	6000	80	152	60	1500	500	5500	4.0	500	80×250	298×298×12
YLDG-O3	7000	80	166	60	1500	500	6500	4.0	500	80×250	298×298×12
YLDG-O4	8000	80	180	60	1500	500	7500	4.0	500	100×300	305×305×19
YLDG-O5	9000	80	180	60	1500	500	8500	4.0	500	100×300	305×305×19
YLDG-O6	10000	80	200	60	1500	500	9500	4.0	500	100×300	305×305×19



**ALUMINUM SINGLE-ARM LIGHT POLE**



◆ **YLDG-T**

**ALUMINUM SINGLE-ARM LIGHT POLE**

**MODEL : YLDG-T**

Custom-made according to customer requirements

MODEL M	HEIGHT H	TOP OD D1	BASE OD D2	OD D3	ARM L1	ARM L2	THICK T	DOOR HEIGHT H1	DOOR SIZE (A×B)	BASE SIZE (L×W×T)
YLDG-T1	5000	80	152	60	1500	4500	4.0	500	80 × 250	298 × 298 × 12
YLDG-T2	6000	80	152	60	1500	5500	4.0	500	80 × 250	298 × 298 × 12
YLDG-T3	7000	80	166	60	1500	6500	4.0	500	80 × 250	298 × 298 × 12
YLDG-T4	8000	80	180	60	1500	7500	4.0	500	100 × 300	305 × 305 × 19
YLDG-T5	9000	80	180	60	1500	8500	4.0	500	100 × 300	305 × 305 × 19
YLDG-T6	10000	80	200	60	1500	9500	4.0	500	100 × 300	305 × 305 × 19

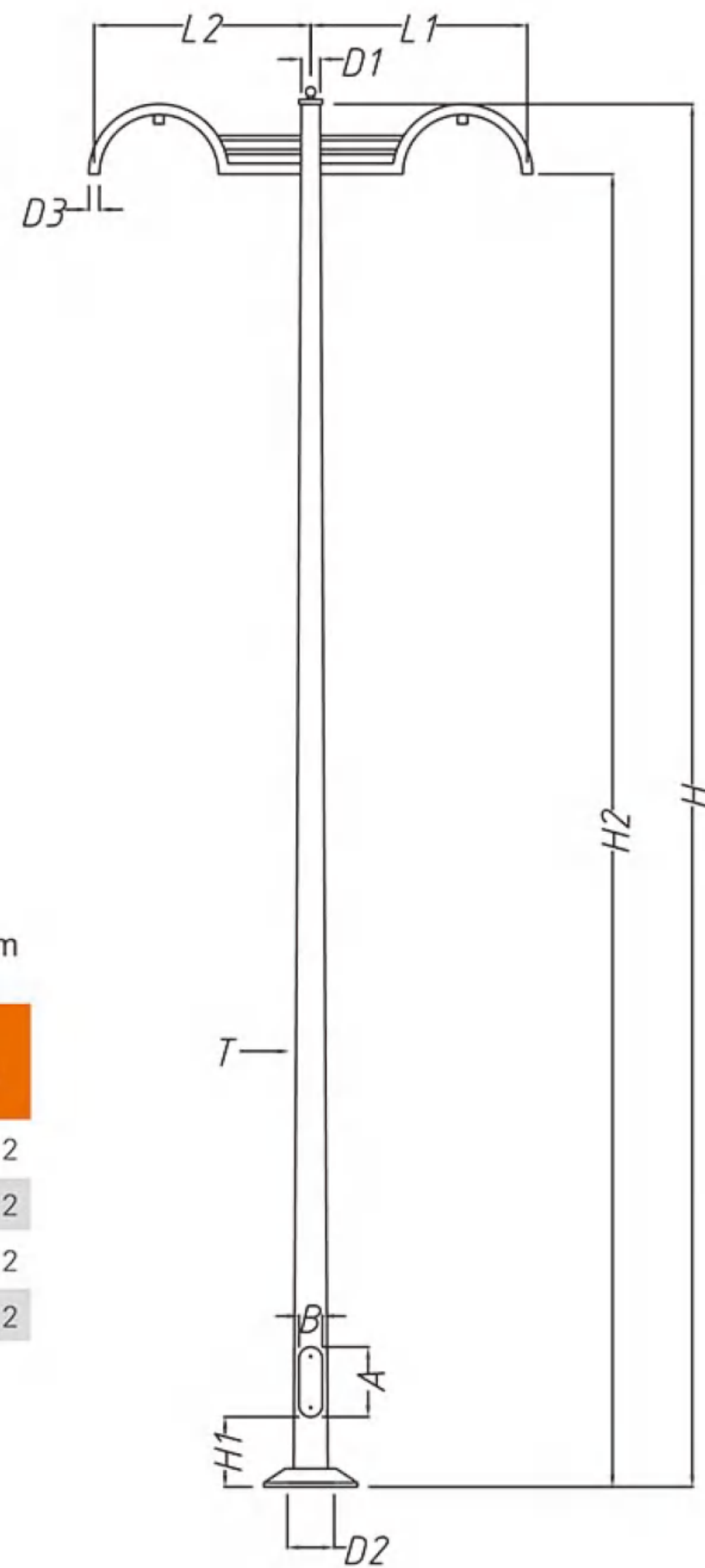
# ◆ YLDG-U

## ALUMINUM COURTYARD LIGHT POLE

### MODEL : YLDG-U

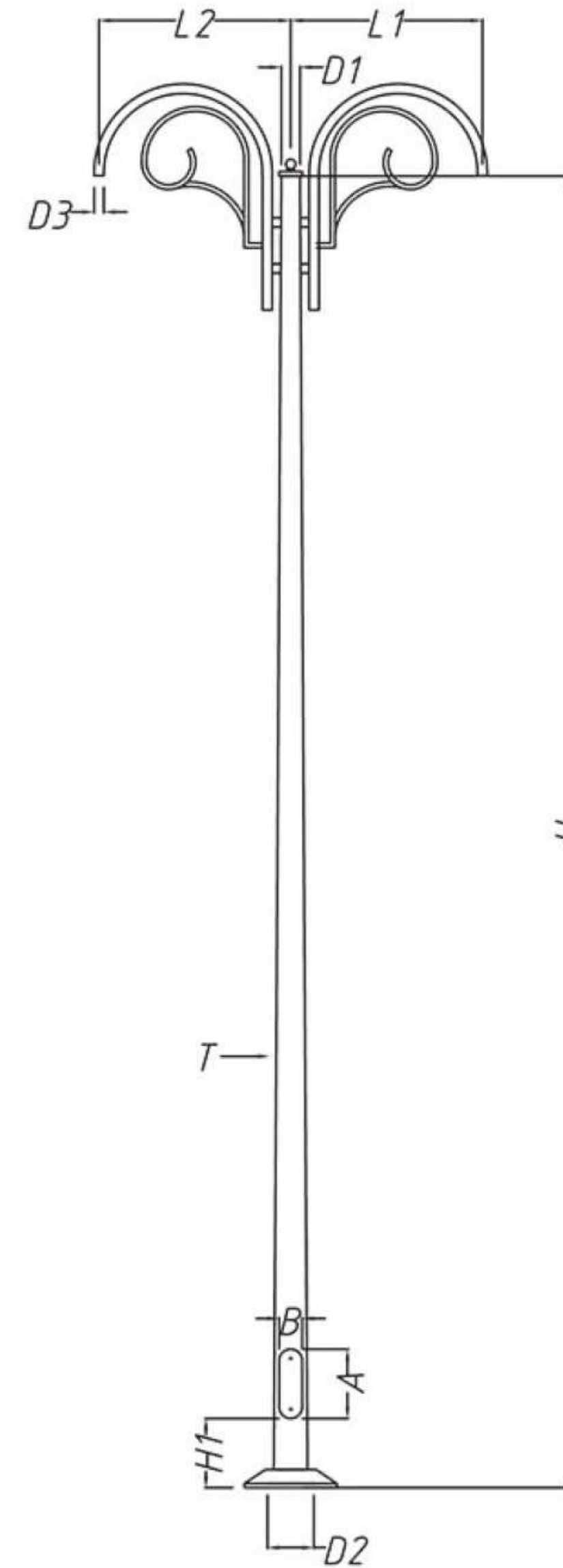
Other sizes can be custom

MODEL M	HEIGHT H	TOP OD D1	BASE OD D2	OD D3	ARM L1	ARM L2	HEIGHT2 H2	THICK T	DOOR HEIGHT H1	DOOR SIZE (A×B)	BASE SIZE (L×W×T)
YLDG-U1	3000	80	152	60	600	600	3000	4.0	500	80 × 250	298 × 298 × 12
YLDG-U2	4000	80	152	60	600	600	4000	4.0	500	80 × 250	298 × 298 × 12
YLDG-U3	5000	80	152	60	600	600	5000	4.0	500	80 × 250	298 × 298 × 12
YLDG-U4	6000	80	152	60	600	600	6000	4.0	500	80 × 250	298 × 298 × 12





ALUMINUM COURTYARD LIGHT POLE



## ◆ YLDG-B

### ALUMINUM COURTYARD LIGHT POLE

#### MODEL : YLDG-B

Other sizes can be custom

MODEL M	HEIGHT H	TOP OD D1	BASE OD D2	OD D3	ARM L1	ARM L2	HEIGHT2 H2	THICK T	DOOR HEIGHT H1	DOOR SIZE (A×B)	BASE SIZE (L×W×T)
YLDG-B1	3000	80	152	60	600	600	3000	4.0	500	80 × 250	298 × 298 × 12
YLDG-B2	4000	80	152	60	600	600	4000	4.0	500	80 × 250	298 × 298 × 12
YLDG-B3	5000	80	152	60	600	600	5000	4.0	500	80 × 250	298 × 298 × 12
YLDG-B4	6000	80	152	60	600	600	6000	4.0	500	80 × 250	298 × 298 × 12

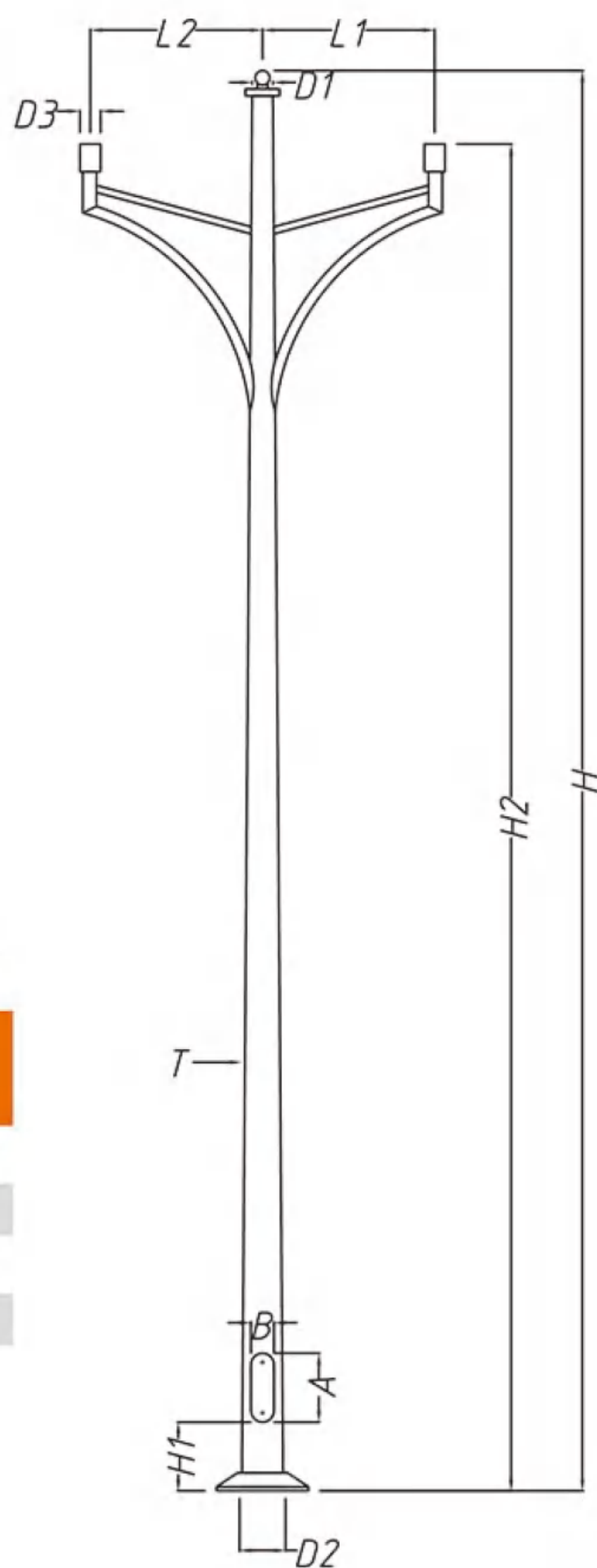
# ◆ YLDG-F

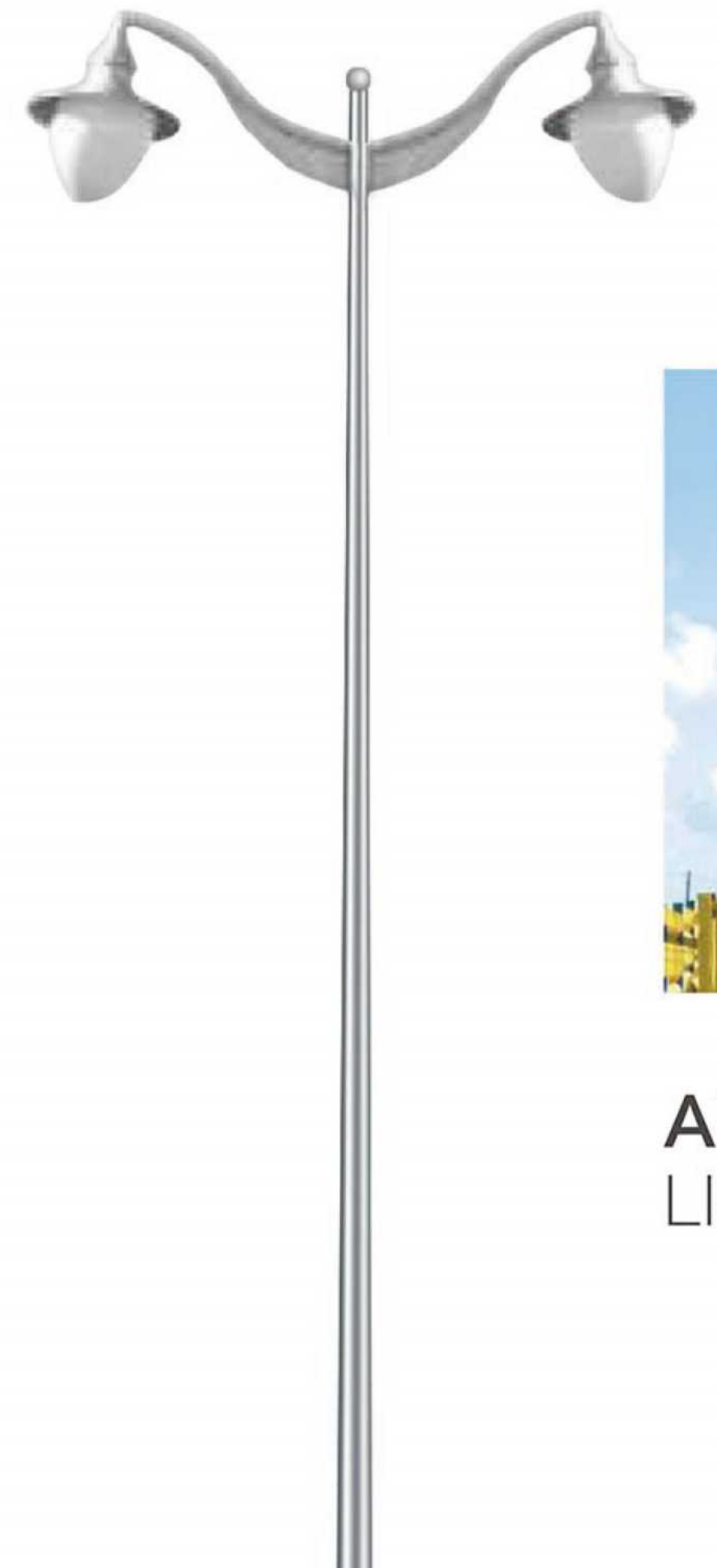
## ALUMINUM COURTYARD LIGHT POLE

### MODEL : YLDG-F

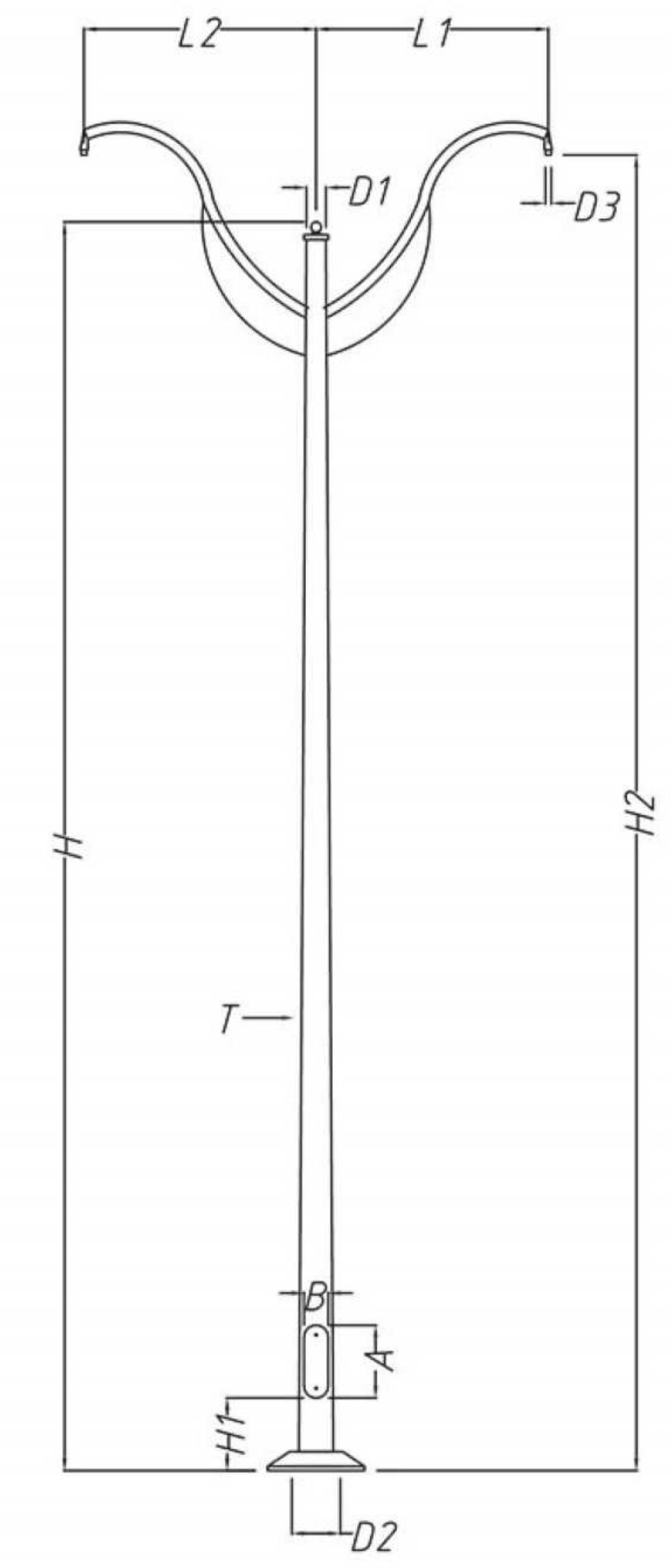
Other sizes can be custom

MODEL M	HEIGHT H	TOP OD D1	BASE OD D2	OD D3	ARM L1	ARM L2	HEIGHT2 H2	THICK T	DOOR HEIGHT H1	DOOR SIZE (A×B)	BASE SIZE (L×W×T)
YLDG-F1	3000	80	152	60	600	600	3000	4.0	500	80 × 250	298 × 298 × 12
YLDG-F2	4000	80	152	60	600	600	4000	4.0	500	80 × 250	298 × 298 × 12
YLDG-F3	5000	80	152	60	600	600	5000	4.0	500	80 × 250	298 × 298 × 12
YLDG-F4	6000	80	152	60	600	600	6000	4.0	500	80 × 250	298 × 298 × 12





**ALUMINUM COURTYARD  
LIGHT POLE**



◆ **YLDG-J**

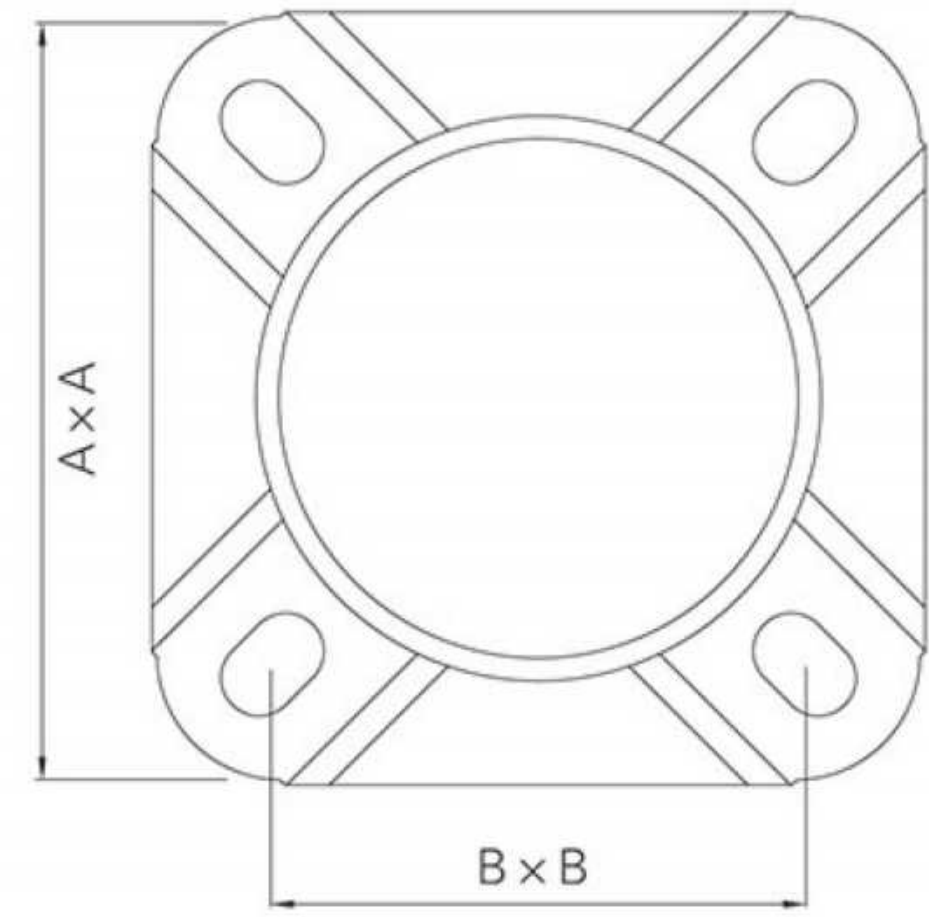
**ALUMINUM COURTYARD  
LIGHT POLE**

**MODEL : YLDG-J**

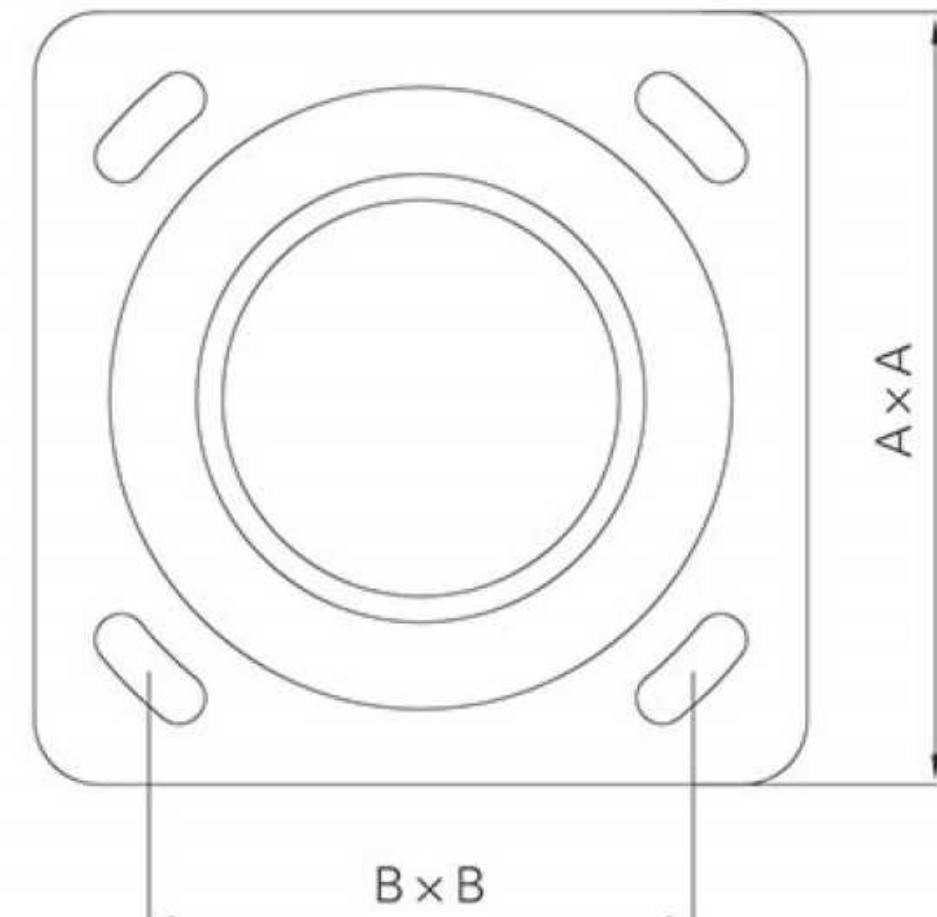
Other sizes can be custom

MODEL M	HEIGHT H	TOP OD D1	BASE OD D2	OD D3	ARM L1	ARM L2	HEIGHT2 H2	THICK T	DOOR HEIGHT H1	DOOR SIZE (A×B)	BASE SIZE (L×W×T)
YLDG-J1	3000	80	152	60	600	600	3000	4.0	500	80 × 250	298 × 298 × 12
YLDG-J2	4000	80	152	60	600	600	4000	4.0	500	80 × 250	298 × 298 × 12
YLDG-J3	5000	80	152	60	600	600	5000	4.0	500	80 × 250	298 × 298 × 12
YLDG-J4	6000	80	152	60	600	600	6000	4.0	500	80 × 250	298 × 298 × 12

## BASE



Cast Aluminium Baseplate



Press Aluminium Baseplate

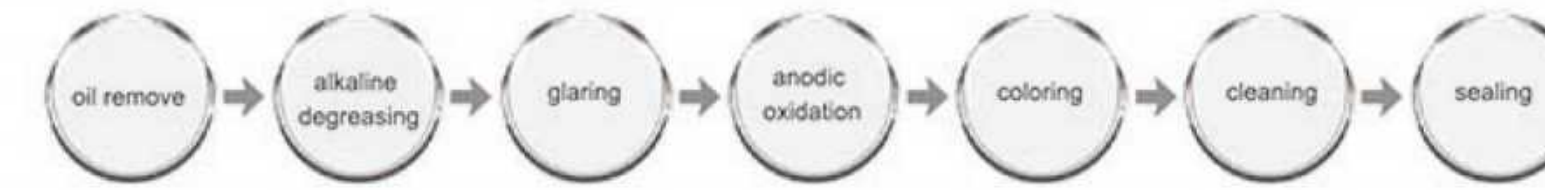
### BASE PARAMETER TABLE

MODEL M	BASE OD DB	BASE SIZE (A×A)	THICK T	HOLES PACING (B×B)	REMARKS Other
YLDG-B1	152	298 × 298	12	210 × 210	铝合金冲压底座
YLDG-B2	166	298 × 298	12	210 × 210	铝合金冲压底座
YLDG-B3	180	305 × 305	19	210 × 210	铝合金铸造底座
YLDG-B4	200	305 × 308	19	210 × 210	铝合金铸造底座

In order to make the light poles more colorful and attractive, we color them through anodizing process. The ways we use for coloring mainly are electrolytic coloring and chemical staining.

Electrolytic coloring have higher abrasive and light resistance. For chemical staining, the cost is low; and the color produced by this method is rich and bright. However, the color fades as time going on. Now we are able to make red, green, blue, yellow, golden, orange, purple, brown and black, which can meet most customers' need.

### Technological Process



### Poles Color Reference



# STAINLESS STEEL LIGHTING POLES CASE

LEADING SUPPLIER IN DESIGNED  
STREET LIGHT POLE

61/62

